

SR810 (B302)

This parts catalog is includes MB No. 1 to 14

SR810 (B302)

PARTS CATALOG

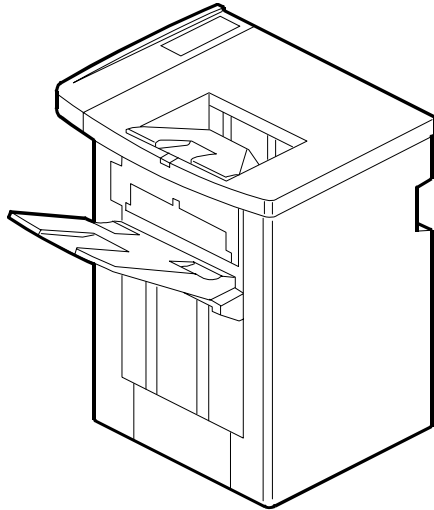
This catalog gives the numbers and names of parts on this machine.

LOCATION OF UNIT	2	18.FRAME SECTION 1 (B302)	40
1.EXTERIOR (B302)	6	19.FRAME SECTION 2 (B302)	42
2.STAPLE TRAY 1 (B302)	8	20.DECAL AND DOCUMENT (B302)	44
3.STAPLE TRAY 2 (B302)	10	PARTS INDEX	47
4.STAPLE TRAY 3 (B302)	12		
5.STAPLE TRAY 4 (B302)	14		
6.STAPLER UNIT (B302)	16		
7.STAPLE TRANSPORT 1 (B302)	18		
8.STAPLE TRANSPORT 2 (B302)	20		
9.STAPLE TRANSPORT 3 (B302)	22		
10.STAPLE TRANSPORT 4 (B302)	24		
11.TRANSPORT SECTION 1 (B302)	26		
12.TRANSPORT SECTION 2 (B302)	28		
13.PAPER EXIT SECTION 1 (B302)	30		
14.PAPER EXIT SECTION 2 (B302)	32		
15.PAPER EXIT SECTION 3 (B302)	34		
16.DRIVE SECTION (B302).....	36		
17.ELECTRICAL SECTION (B302)	38		

July ,30 ' 2002

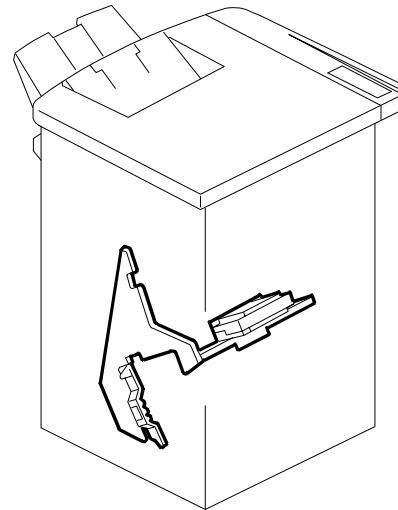
LOCATIONS OF UNITS

1. EXTERIOR (B302)



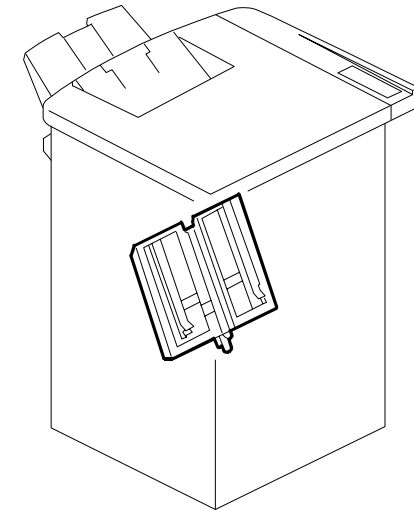
See Page 7

2. STAPLE TRAY 1 (B302)



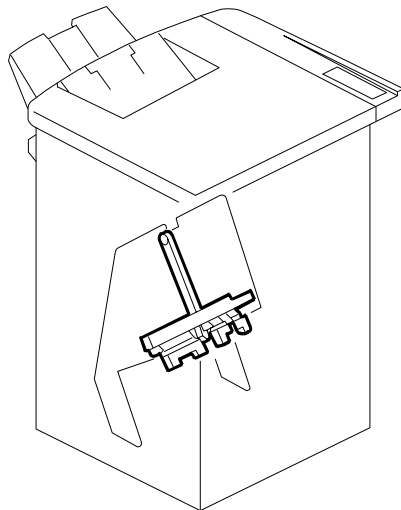
See Page 9

3. STAPLE TRAY 2 (B302)



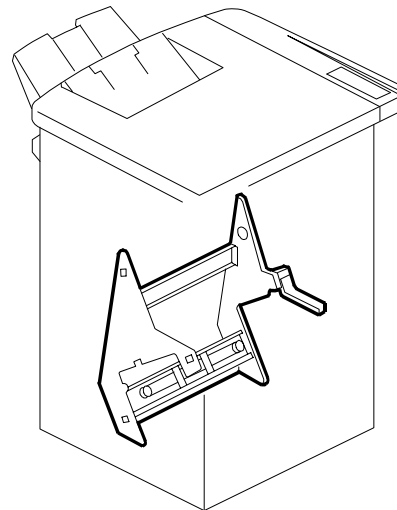
See Page 11

4. STAPLE TRAY 3 (B302)



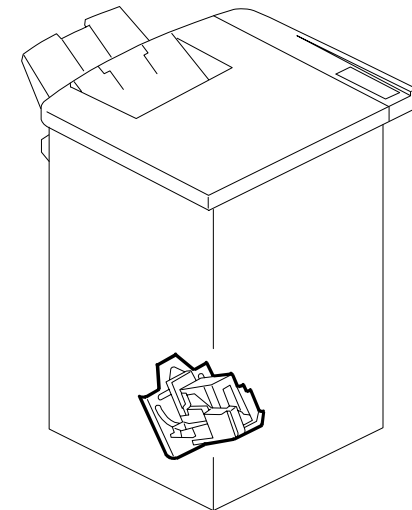
See Page 13

5. STAPLE TRAY 4 (B302)



See Page 15

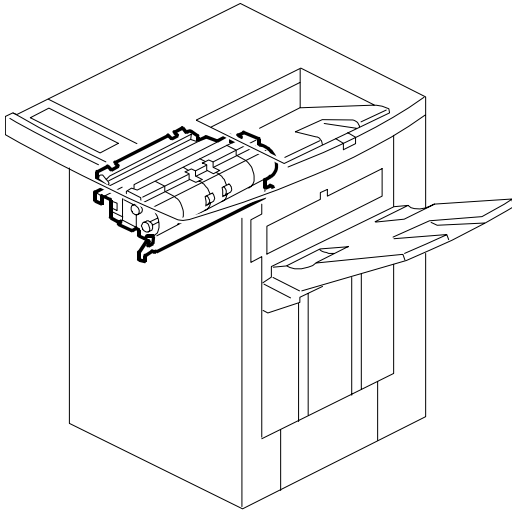
6. STAPLER UNIT (B302)



See Page 17

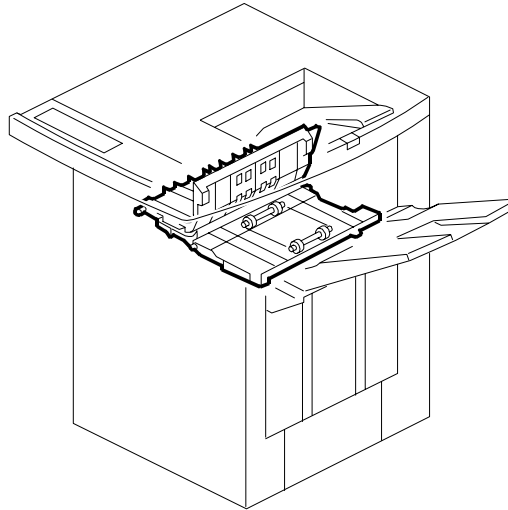
LOCATIONS OF UNITS

7. STAPLE TRANSPORT 1 (B302)



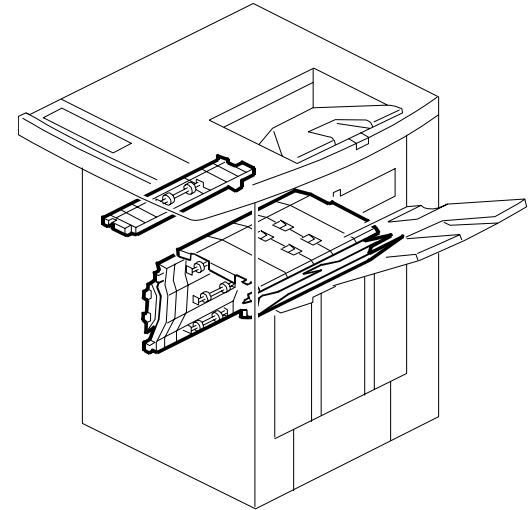
See Page 19

8. STAPLE TRANSPORT 2 (B302)



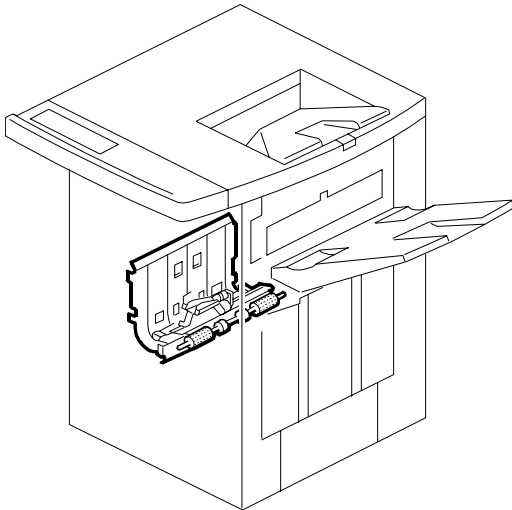
See Page 21

9. STAPLE TRANSPORT 3 (B302)



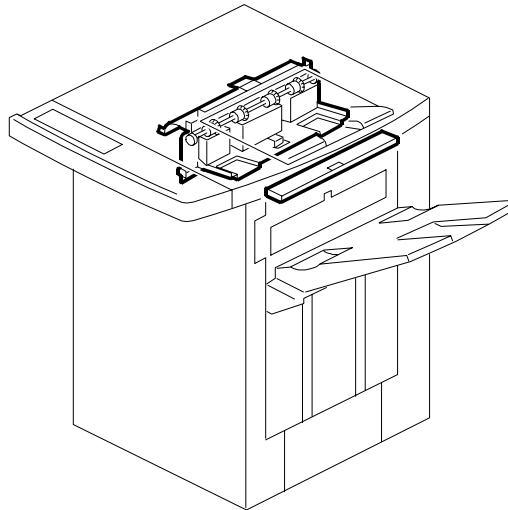
See Page 23

10. STAPLE TRANSPORT 4 (B302)



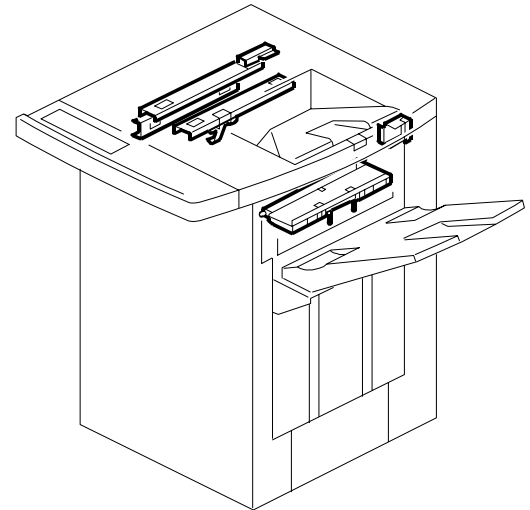
See Page 25

11. TRANSPORT SECTION 1 (B302)



See Page 27

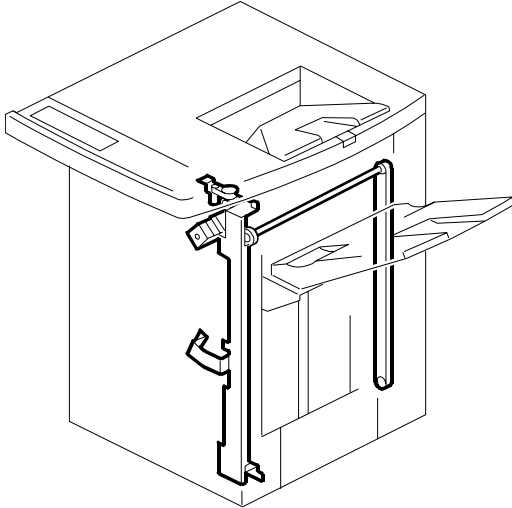
12. TRANSPORT SECTION 2 (B302)



See Page 29

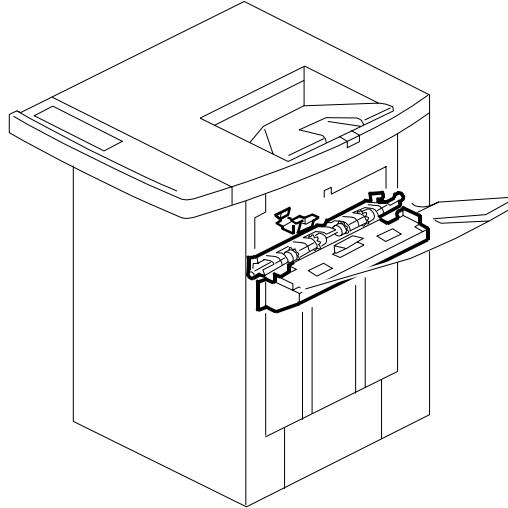
LOCATIONS OF UNITS

13. PAPER EXIT SECTION 1 (B302)



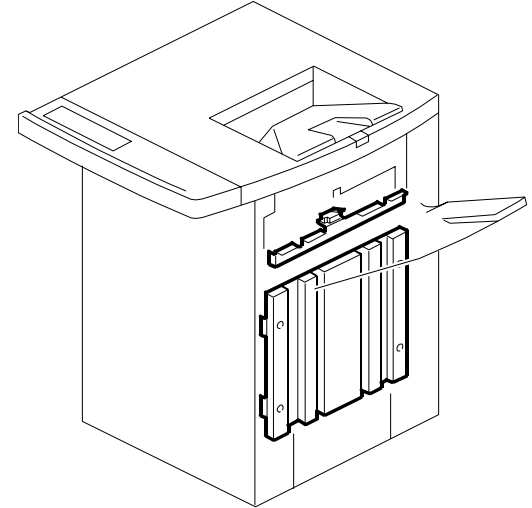
See Page 31

14. PAPER EXIT SECTION 2 (B302)



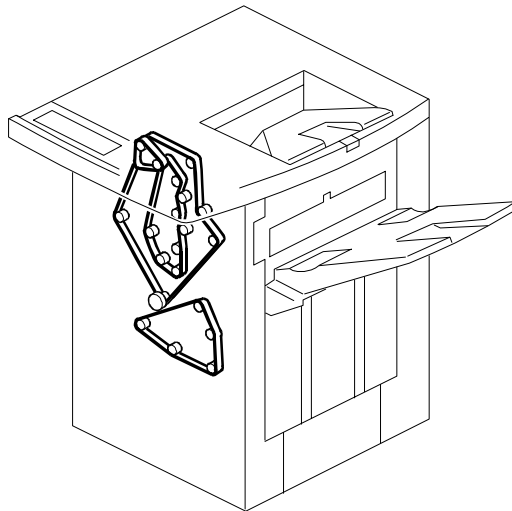
See Page 33

15. PAPER EXIT SECTION 3 (B302)



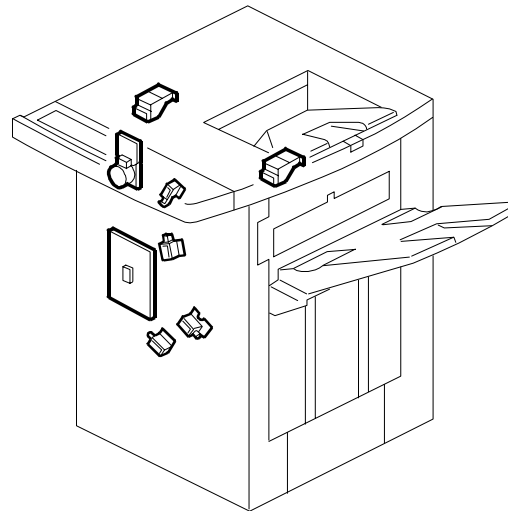
See Page 35

16. DRIVE SECTION (B302)



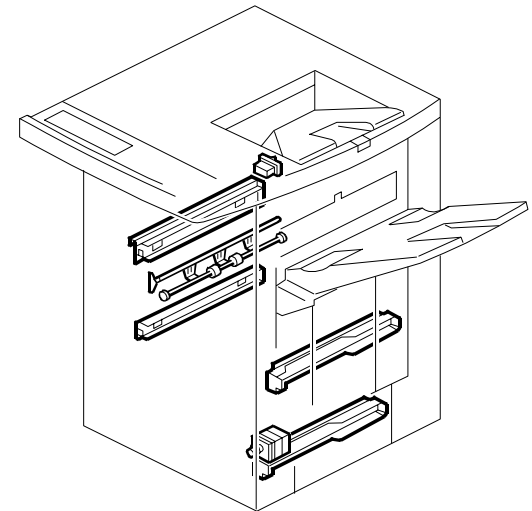
See Page 37

17. ELECTRICAL SECTION (B302)



See Page 39

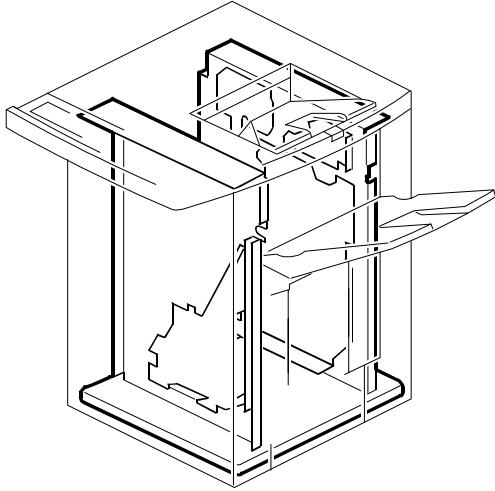
18. FRAME SECTION 1 (B302)



See Page 41

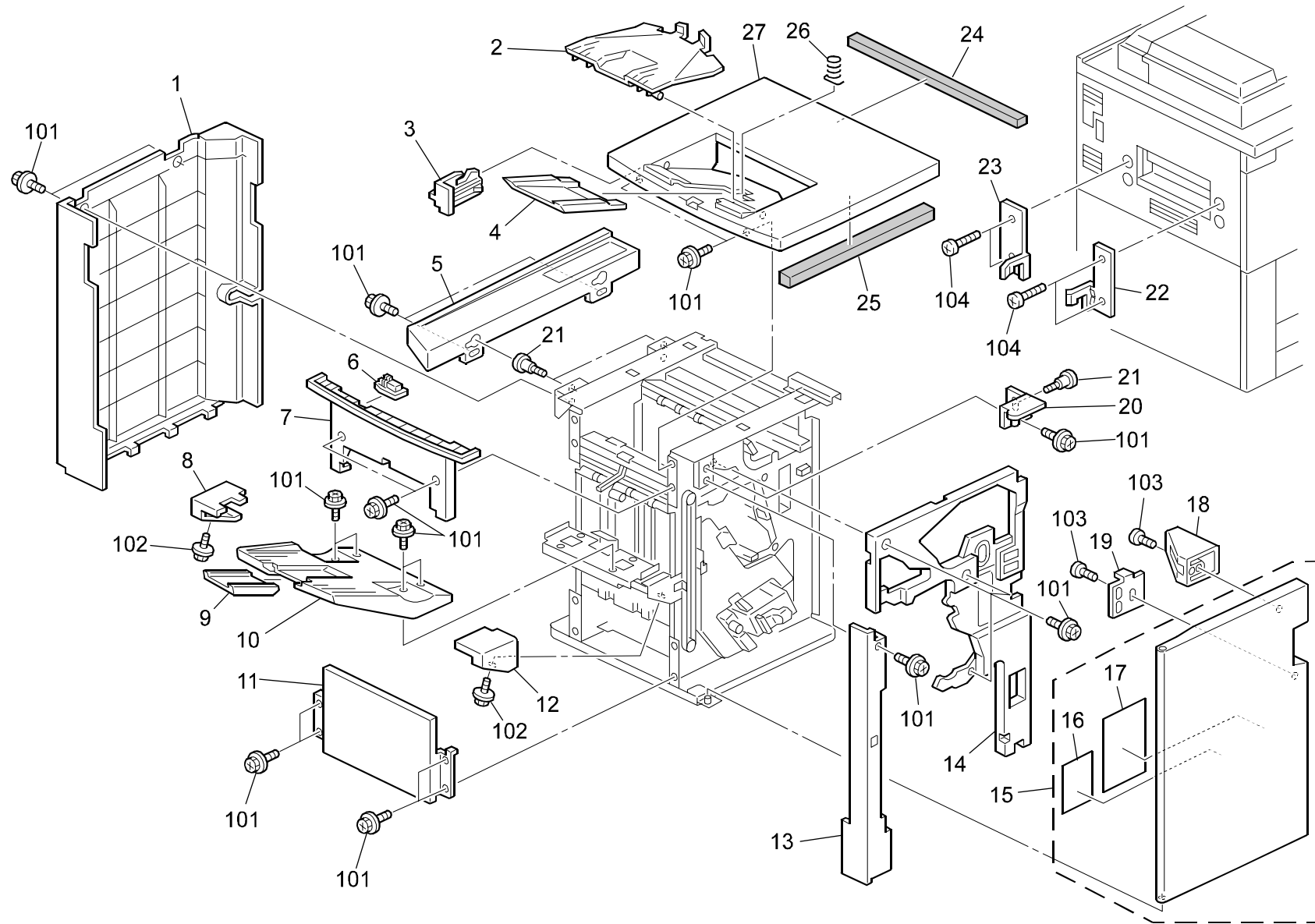
LOCATIONS OF UNITS

19. FRAME SECTION 2 (B302)



See Page 43

1.EXTERIOR (B302)

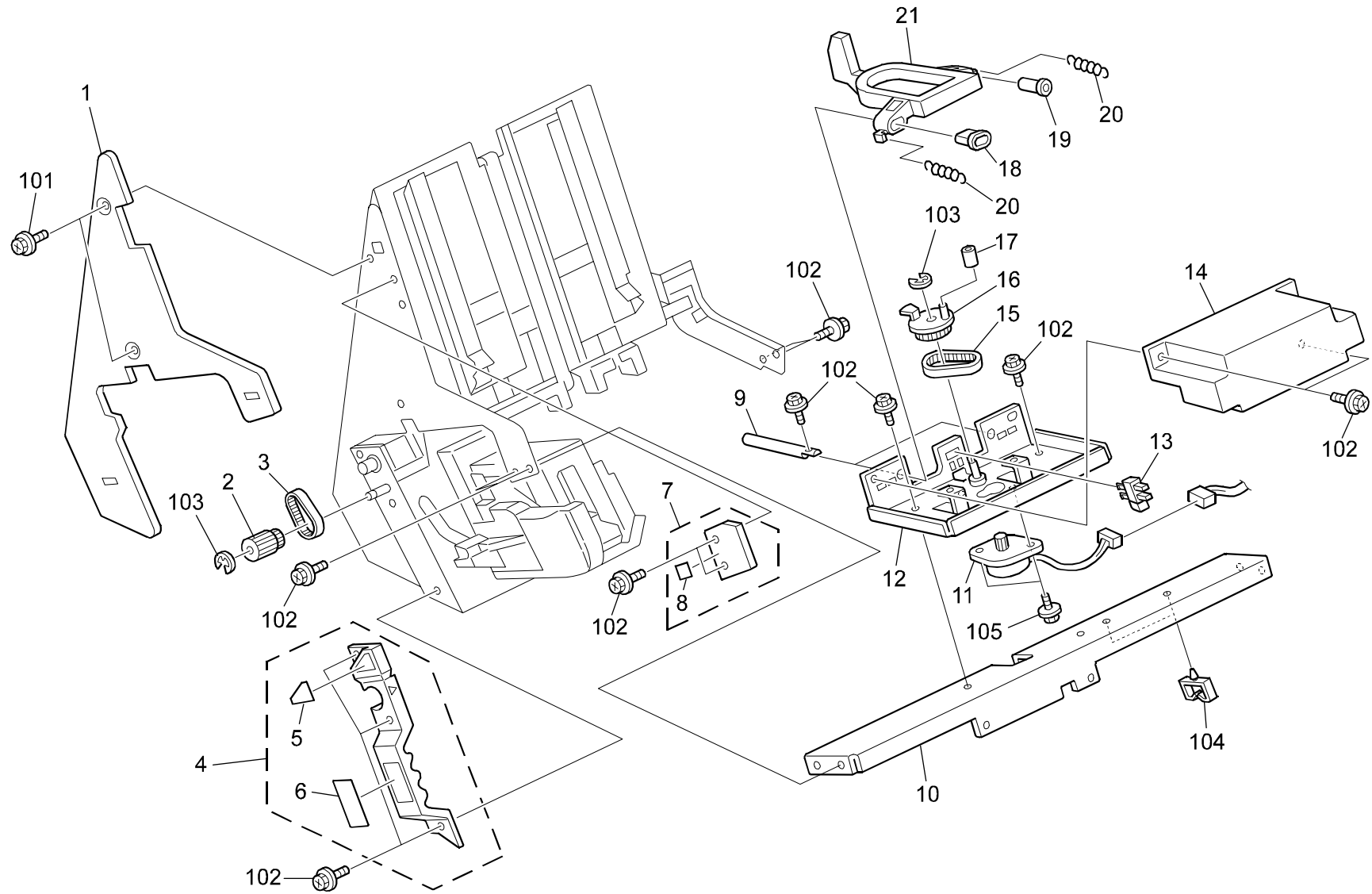


1.EXTERIOR (B302)

Index No.	Part No.	Description	Q'ty Per Assembly
1	B302 6211	Rear Cover	1
2	B302 6131	Upper Tray	1
3	B302 6115	Tray Stopper	1
4	B302 6141	Slide Tray	1
5	B302 6451	Table	1
6	B302 6251	Upper Tray Lever	1
7	B302 6261	Upper Cover	1
8	A697 6111	Rear Cover - Shift Tray	1
9	A666 2421	Sub - Shift Tray	1
10	A697 3031	Shift Tray	1
11	B302 6311	Left Lower Cover	1
12	A697 6101	Front Cover - Shift Tray	1
13	B302 6351	Left Inner Cover	1
14	B302 6612	Inner Cover	1
	B302 6611	O/O MB12	
15	B302 7020	Front Door	1
16	B302 7722	Decal - Misfeed Staple Removal	1
17	B302 7721	Decal - Misfeed Paper Removal	1
18	A606 1595	Small Door Cover	1
19	B302 6161	Magnet Catch Plate	1
20	B302 6157	Upper Hinge - Front Door	1
	B302 6155	O/O MB14	
21	A077 4162	Shoulder Screw - M3	3
22	A697 1153	Front Joint Bracket	1
23	A697 1144	Rear Joint Bracket	1
24	B302 7531	Cushion -10x15x585	1
25	B302 6116	Cover Cushion	1
26	B302 6135	Spring - 23x44mm	1
27	B302 6121	Upper Cover	1

Index No.	Part No.	Description	Q'ty Per Assembly
101	0451 3008B	Tapping Screw - M3x8	
102	0451 3008H	Tapping Screw - M3x8	
103	0452 4008B	Binding Self Tapping Screw - M4x8	
104	0451 3006B	Tapping Screw - M3x6	

2.STAPLE TRAY 1 (B302)

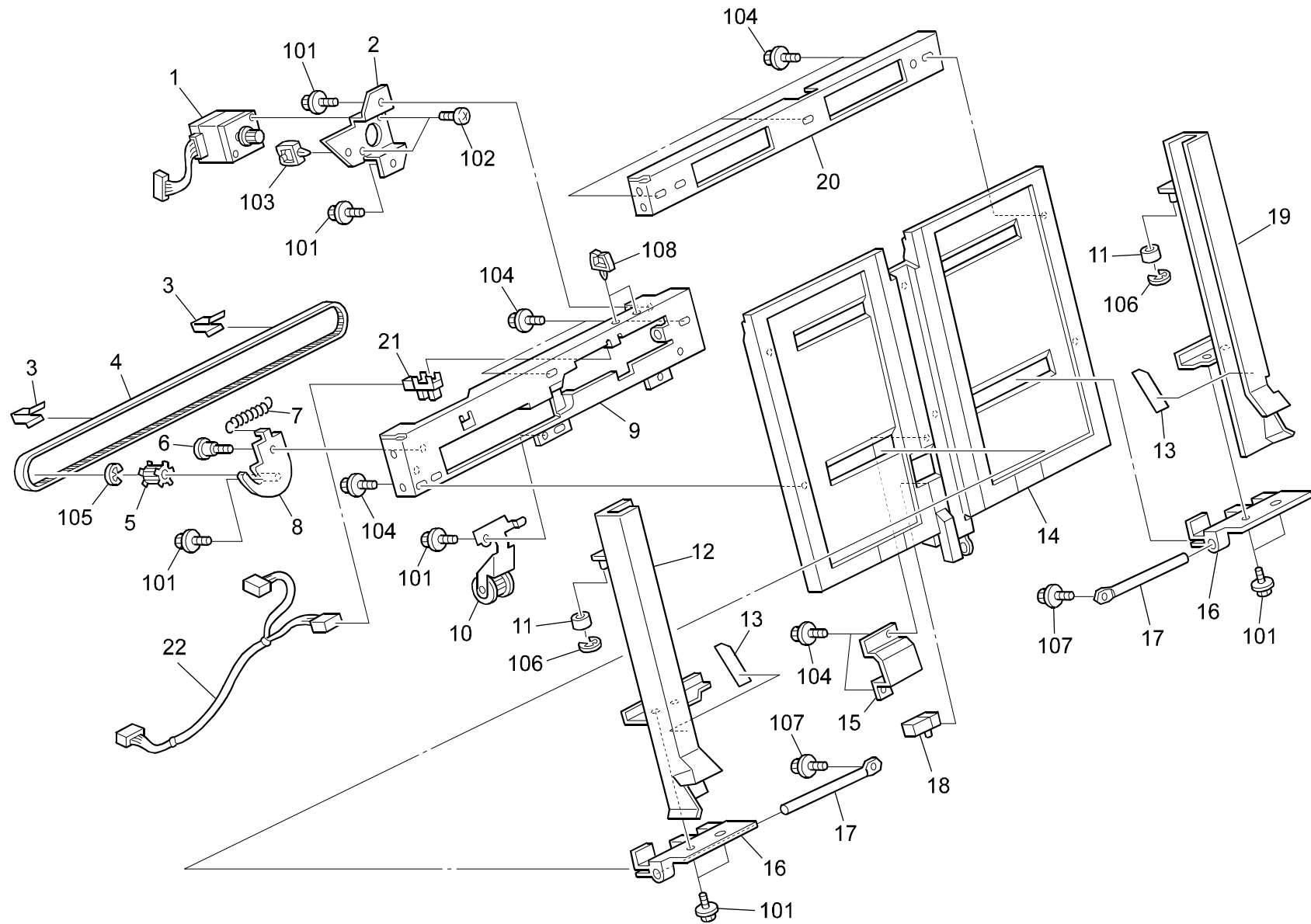


2.STAPLE TRAY 1 (B302)

Index No.	Part No.	Description	Q'ty Per Assembly
1	B302 6651	Inner Cover - Staple Tray	1
2	B302 4273	Stapler Unit Knob	1
3	B302 4155	Timing Belt - 153P3M6	1
4	B302 7008	Cover - Stapler Unit Drive	1
5	B302 7709	Decal - R9	1
6	B302 7708	Decal - R8	1
7	B302 7007	Staple Tray Grip	1
8	B302 7707	Decal - R7	1
9	B302 4151	Stack Plate Shaft	2
10	B302 4911	Right Stay	1
11	AX04 0120	Stepped Motor - DC 9.0W	1
12	B302 4121	Bracket - Stack Plate Motor	1
13	AW02 0086	Photointerruptor	1
14	B302 4131	Stack Plate Cover	1
15	B302 4155	Timing Belt - 153P3M6	1
16	B302 4141	Stack Plate Wheel	1
17	B302 4142	Stack Plate Guide	1
18	B302 4113	Bushing - 6x9mm	1
19	B302 4112	Bushing - 6mm	1
20	B302 4153	Spring - 3x29mm	2
21	B302 4115	Stack Plate	1

Index No.	Part No.	Description	Q'ty Per Assembly
101	0451 3008B	Tapping Screw - M3x8	
102	0451 3006B	Tapping Screw - M3x6	
103	0720 0040B	Retaining Ring - M4	
104	1105 0199	Clamp	
105	0451 3010B	Tapping Screw - M3x10	

3.STAPLE TRAY 2 (B302)

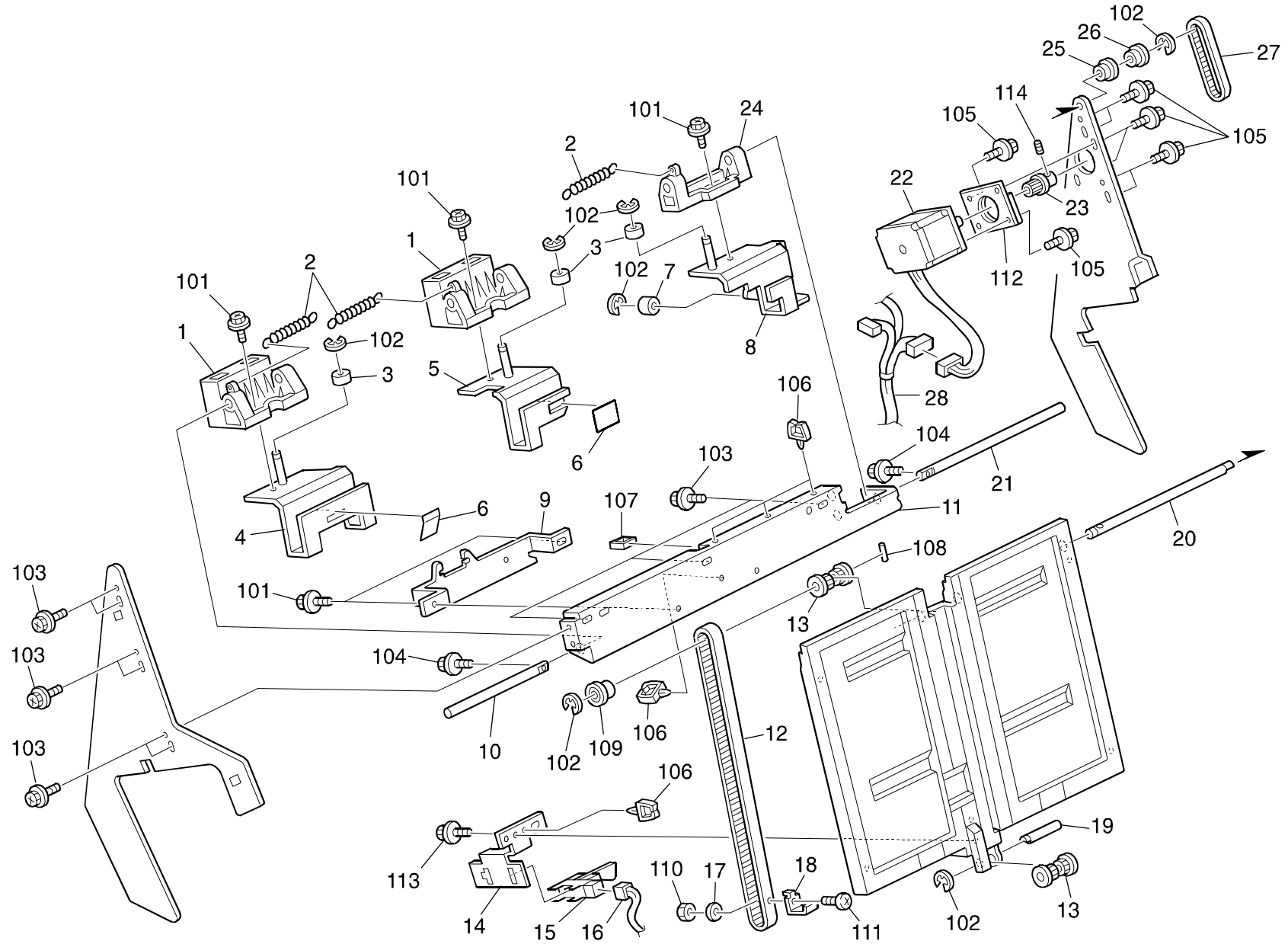


3.STAPLE TRAY 2 (B302)

Index No.	Part No.	Description	Q'ty Per Assembly
1	AX05 0148	Stepped Motor - DC 8.0W	1
2	B302 4752	Jogger Motor Bracket	1
	B302 4751	O/O MB14	
3	A300 3634	Spring Plate - Timing Belt	2
4	B302 4756	Timing Belt - 753P3M6	1
5	AB03 0278	Idler - 20z	1
6	A697 1125	Stepped Screw - Lever	1
7	5442 4121	Spring - Oil Blade	1
8	B302 4769	Tightener	1
	B302 4766	O/O MB13	
9	B302 4747	Middle Stay - Staple Unit	1
	B302 4746	O/O MB14	
10	A666 3220	Tightener - Timing Belt	1
11	5201 2722	Bushing - M6x5	2
12	B302 4611	Front Jogger Fence	1
13	B302 4629	Guide Mylar	2
14	B302 4711	Paper Feed Guide	1
15	B302 4721	Paper Guide - Positioning Roller	1
16	B302 4617	Jogger Fence Slider	2
17	B302 4619	Jogger Fence Shaft	2
18	AW01 0076	Photosensor - PS-117D1	1
19	B302 4621	Rear Jogger Fence	1
20	B302 4737	Upper Stay - Staple Unit	1
	B302 4736	O/O MB14	
21	AW02 0086	Photointerruptor	1
22	B302 5370	Sensor Harness - Staple Tray	1

Index No.	Part No.	Description	Q'ty Per Assembly
101	0451 3006B	Tapping Screw - M3x6	
102	0313 0040B	Philips Pan Head Screw - M3x4	
103	1105 0229	Clamp	
104	0450 3008B	Tapping Screw - M3x8	
105	0720 0060B	Retaining Ring - M6	
106	0720 0040B	Retaining Ring - M4	
107	0451 3010B	Tapping Screw - M3x10	
108	1105 0199	Clamp	

4.STAPLE TRAY 3 (B302)

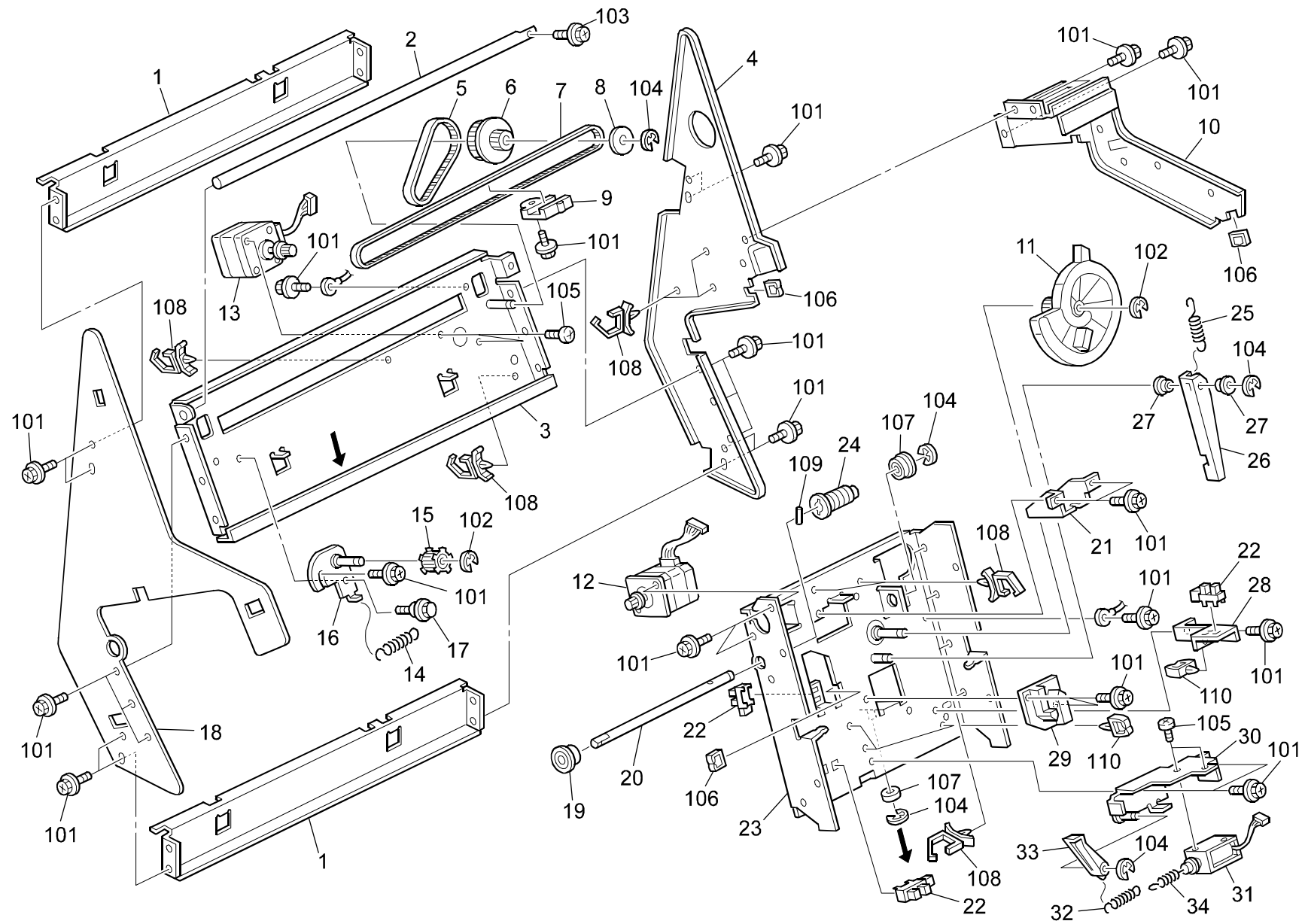


4.STAPLE TRAY 3 (B302)

Index No.	Part No.	Description	Q'ty Per Assembly
1	B302 4515	Front Slide Holder	2
2	A300 3759	Spring	3
3	B302 4538	Bushing - 6x12x5	3
4	B302 4511	Front Positioning Fence	1
5	B302 4521	Middle Positioning Fence	1
6	B302 4517	Mylar Guide	2
7	B302 4239	Guide Roller	1
8	B302 4531	Rear Positioning Fence	1
9	B302 4744	Bracket - Slide Holder Shaft	1
	B302 4742	O/O MB14	
10	B302 4541	Front Shaft - Slide Holder	1
11	B302 4743	Lower Stay - Staple Unit	1
	B302 4741	O/O MB14	
12	B302 4772	Timing Belt - 898P2M14	1
13	A666 3180	Timing Pulley - Z32	2
14	B302 4727	Bracket - Feed-out Belt Sensor	1
	B302 4726	O/O MB14	
15	AW02 0049	Photointerruptor - OS - 580213-703	1
16	B302 5370	Sensor Harness - Staple Tray	1
17	A353 2763	Washer - M5	1
18	B302 4771	Paper Exit Pawl	1
19	B302 4731	Lower Exit Shaft	1
20	B302 4716	Upper Exit Shaft	1
21	B302 4542	Rear Shaft - Slide Holder	1
22	AX05 0110	Stepping Motor - 2.4V 7.2W	1
23	B302 4423	Timing Pulley - 15Z	1
24	B302 4535	Rear Slide Holder	1
25	0741 3506	Ball Bearing - 6x12x4mm	1
	A232 3562	O/O MB10	
26	A697 2260	Pulley - 17T	1
27	B302 4421	Timing Belt - 293P3M6	1
28	B302 5380	Stapler Harness	1

Index No.	Part No.	Description	Q'ty Per Assembly
101	0451 3006B	Tapping Screw - M3x6	
102	0720 0040B	Retaining Ring - M4	
103	0451 3008B	Tapping Screw - M3x8	
104	0451 3010B	Tapping Screw - M3x10	
105	0451 4006B	Tapping Screw - 4x6	
106	1105 0199	Clamp	
107	1105 0328	Harness Clamp - ES-0505	
108	0633 0100G	Parallel Pin - 3x10	
109	0805 3385	Bushing - 6mm	
110	0710 0020W	Hexagonal Nut - M2	
111	0242 0035B	Pan Head Screw - M2x3.5	
113	0450 3008B	Tapping Screw - M3x8	
114	0574 0050E	Hexagon Headless Set Screw - M4x5	
115	1105 0946	Stepping Motor Cushion	

5.STAPLE TRAY 4 (B302)

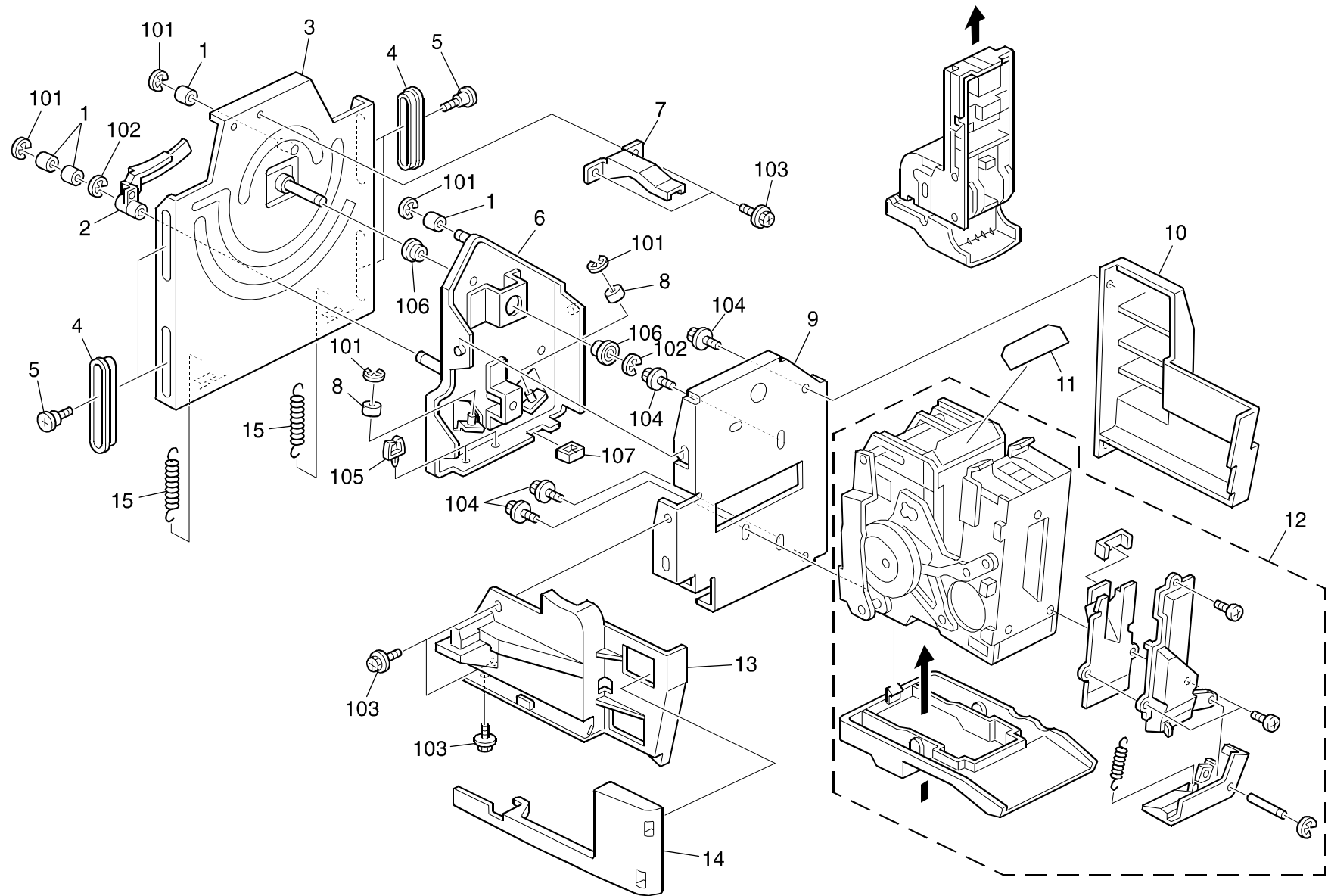


5.STAPLE TRAY 4 (B302)

Index No.	Part No.	Description	Q'ty Per Assembly
1	B302 4812	Stay - Upper Slide Rail	2
	B302 4811	O/O MB14	
2	B302 4255	Guide Rod	1
3	B302 4257	Stapler Motor Bracket	1
	B302 4251	O/O MB14	
4	B302 4412	Rear Side Plate - Staple Tray	1
	B302 4411	O/O MB14	
5	B302 4259	Timing Belt - 195PM6	1
6	B302 4256	Timing Pulley - 20Z/40Z	1
7	B302 4756	Timing Belt - 753P3M6	1
8	A300 3812	Spacer - 6x22x1.5	1
9	B302 4292	Belt Holder	1
10	B302 4912	Right Stay Arm	1
11	B302 4271	Drive Cam - Stapler Unit	1
	B302 4291	Belt Holder Bracket X/X MB9	
11	B302 4293	Belt Holder Bracket	1
	B302 4291	O/O MB13	
12	AX05 0149	Stepped Motor - DC 6.9W	1
13	AX05 0148	Stepped Motor - DC 8.0W	1
14	5442 4121	Spring - Oil Blade	1
15	AB03 0278	Idler - 20Z	1
16	B302 4769	Tightener	1
	B302 4766	O/O MB13	
17	A697 1125	Stepped Screw - Lever	1
18	B302 4312	Front Side Plate - Staple Tray	1
	B302 4311	O/O MB14	
19	0741 3506	Ball Bearing - 6x12x4mm	1
	A232 3562	O/O MB10	
20	B302 4274	Worm Gear Shaft	1
21	B302 4293	Belt Holder Bracket	1
	B302 4291	O/O MB13	
22	AW02 0086	Photointerruptor	3
23	B302 4261	Stapler Unit Slider	1
24	B302 4272	Worm Gear - Z1	1
25	B302 4269	Spring - 12x64mm	1

Index No.	Part No.	Description	Q'ty Per Assembly
26	B302 4270	Return Arm - Stapler Unit	1
	B302 4268	O/O MB14	
27	AA08 0072	Bushing - 6x10x3	2
28	B302 4298	Bracket - Return Support Sensor	1
	B302 4299	O/O MB14	
29	B302 4266	Guide Rail - Stapler Unit	1
30	B302 4284	Bracket - Return Support Solenoid	1
	B302 4281	O/O MB14	
31	AX12 0046	DC Solenoid - 24V	1
32	B302 4286	Spring - 4.4x24mm	1
33	B302 4285	Return Support Lever	1
34	B302 4287	Spring - 5.5x17mm	1
101	0451 3006B	Tapping Screw - M3x6	
102	0720 0060B	Retaining Ring - M6	
103	0451 4010B	Tapping Screw - 4x10	
104	0720 0040B	Retaining Ring - M4	
105	0313 0040B	Philips Pan Head Screw - M3x4	
106	1105 0328	Harness Clamp - ES-0505	
107	0740 3506	Ball Bearing - 6x12x4 MM	
108	1105 0310	Harness Clamp - LWS-1S	
109	0633 0100G	Parallel Pin - 3x10	
110	1105 0199	Clamp	

6.STAPLER UNIT (B302)

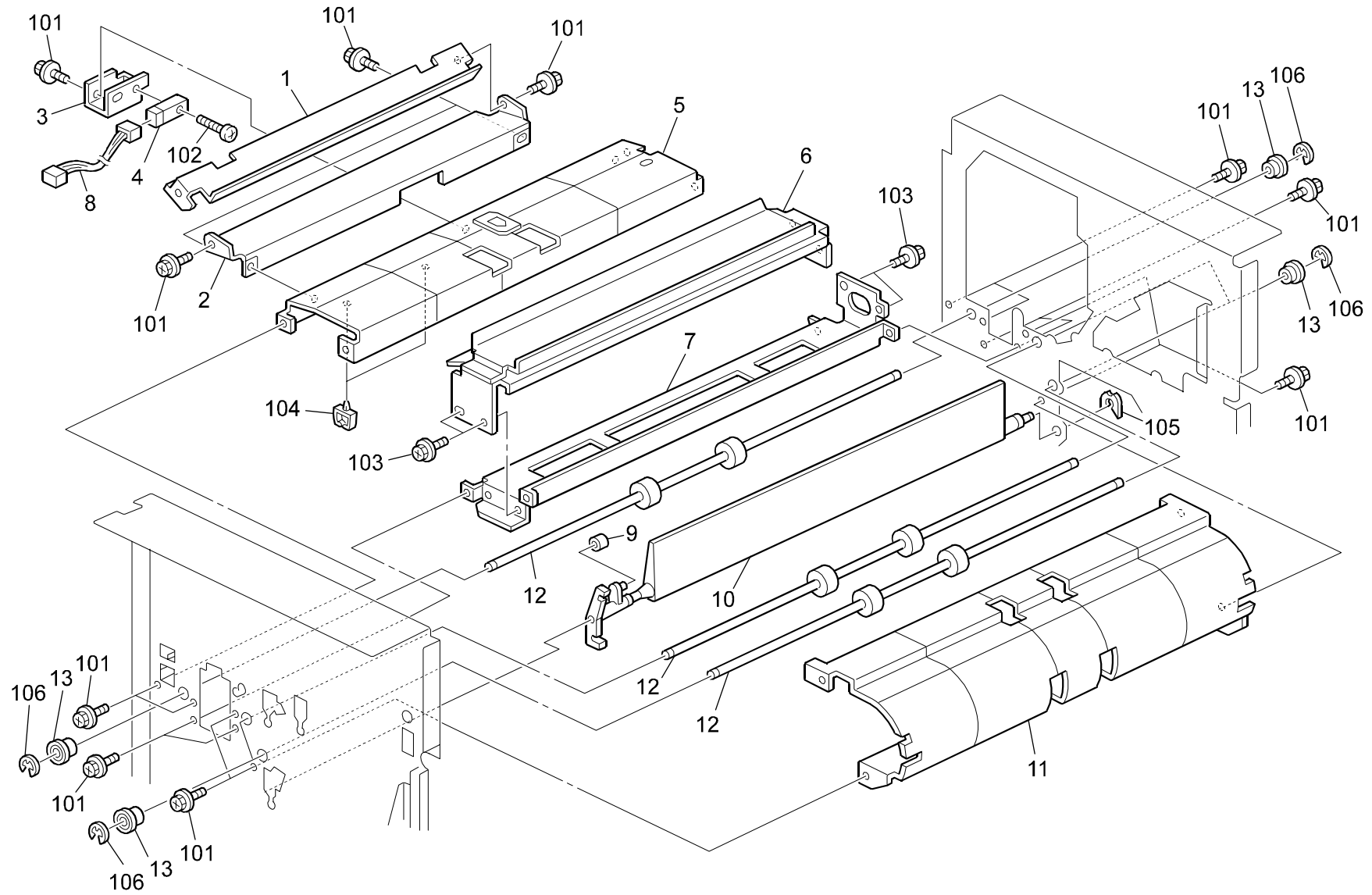


6.STAPLER UNIT (B302)

Index No.	Part No.	Description	Q'ty Per Assembly
1	B302 4239	Guide Roller	4
2	B302 4229	Sensor Actuator	1
3	B302 4246	1st Holder - Stapler Unit	1
	B302 4231	O/O MB14	
4	B302 4238	Slide Guide	4
5	A697 4150	Stepped Screw - M5	4
6	B302 4218	2nd Holder - Stapler Unit	1
	B302 4221	O/O MB14	
7	B302 4247	Slider Hook	1
	B302 4237	O/O MB14	
8	A377 4741	Roller - M14	2
9	B302 4214	Stapler Bracket	1
	B302 4213	O/O MB14	
10	B302 4217	Rear Stapler Cover	1
11	B302 4219	Entrance Stapler Guide Mylar	1
12	AJ01 1014	Stapler - EH-1100R	1
13	B302 4215	Front Stapler Cover	1
14	B302 4216	Stapler Harness Cover	1
15	B302 4267	Spring - 10x59mm	2

Index No.	Part No.	Description	Q'ty Per Assembly
101	0720 0040B	Retaining Ring - M4	
102	0720 0060B	Retaining Ring - M6	
103	0451 3006B	Tapping Screw - M3x6	
104	0451 4008B	Philips Tapping Screw - M4x8	
105	1105 0229	Clamp	
106	0805 3368	Ball Bearing - 8x16x5mm	
107	1105 0328	Harness Clamp - ES-0505	

7.STAPLE TRANSPORT 1 (B302)

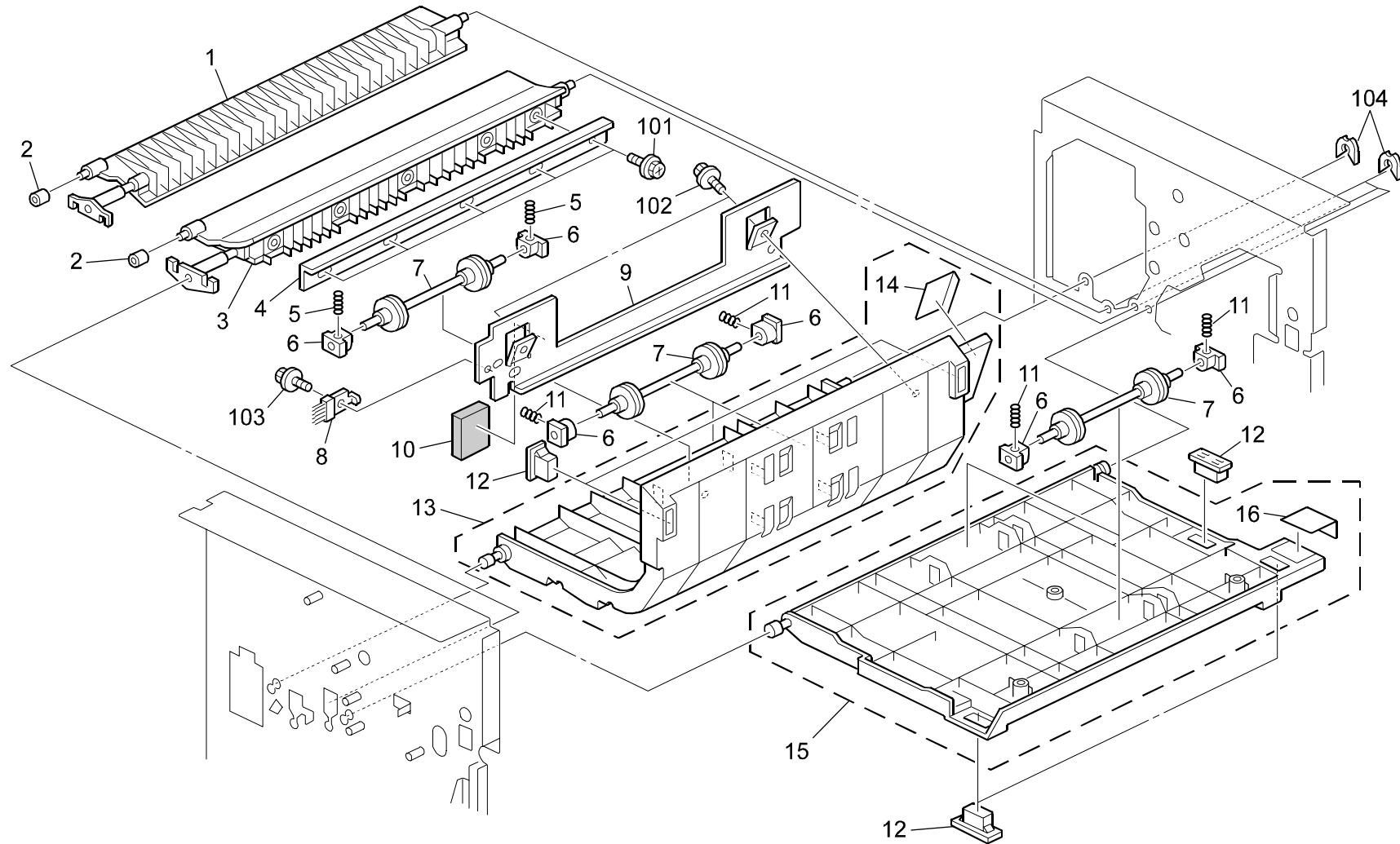


7.STAPLE TRANSPORT 1 (B302)

Index No.	Part No.	Description	Q'ty Per Assembly
1	A697 2251	Upper Relay Guide	1
2	A697 2250	Lower Relay Guide	1
3	B302 2354	Entrance Sensor Bracket	1
	B302 2359	O/O MB14	
4	AW01 0076	Photosensor - PS-117D1	1
5	B302 2353	Lower Entrance Guide	1
	B302 2357	O/O MB14	
6	A697 2160	Guide Plate - Punch Unit	1
7	A697 1131	Middle Stay	1
8	B302 5240	Entrance Sensor Harness	1
9	A458 2251	Cushion - Bin Solenoid Lever	1
10	B302 2716	Gate Pawl	1
11	B302 2347	Turn Guide	1
	B302 2346	O/O MB14	
12	AF02 0501	Transport Roller	3
13	A859 2230	Ball Bearing - 6x13x5	6

Index No.	Part No.	Description	Q'ty Per Assembly
101	0451 3006B	Tapping Screw - M3x6	
102	0313 0140B	Philips Pan Head Screw - M3x14	
103	0451 4006B	Tapping Screw - 4x6	
104	1105 0199	Clamp	
105	0805 0089	Retaining Ring - M4	
106	0720 0040B	Retaining Ring - M4	

8.STAPLE TRANSPORT 2 (B302)

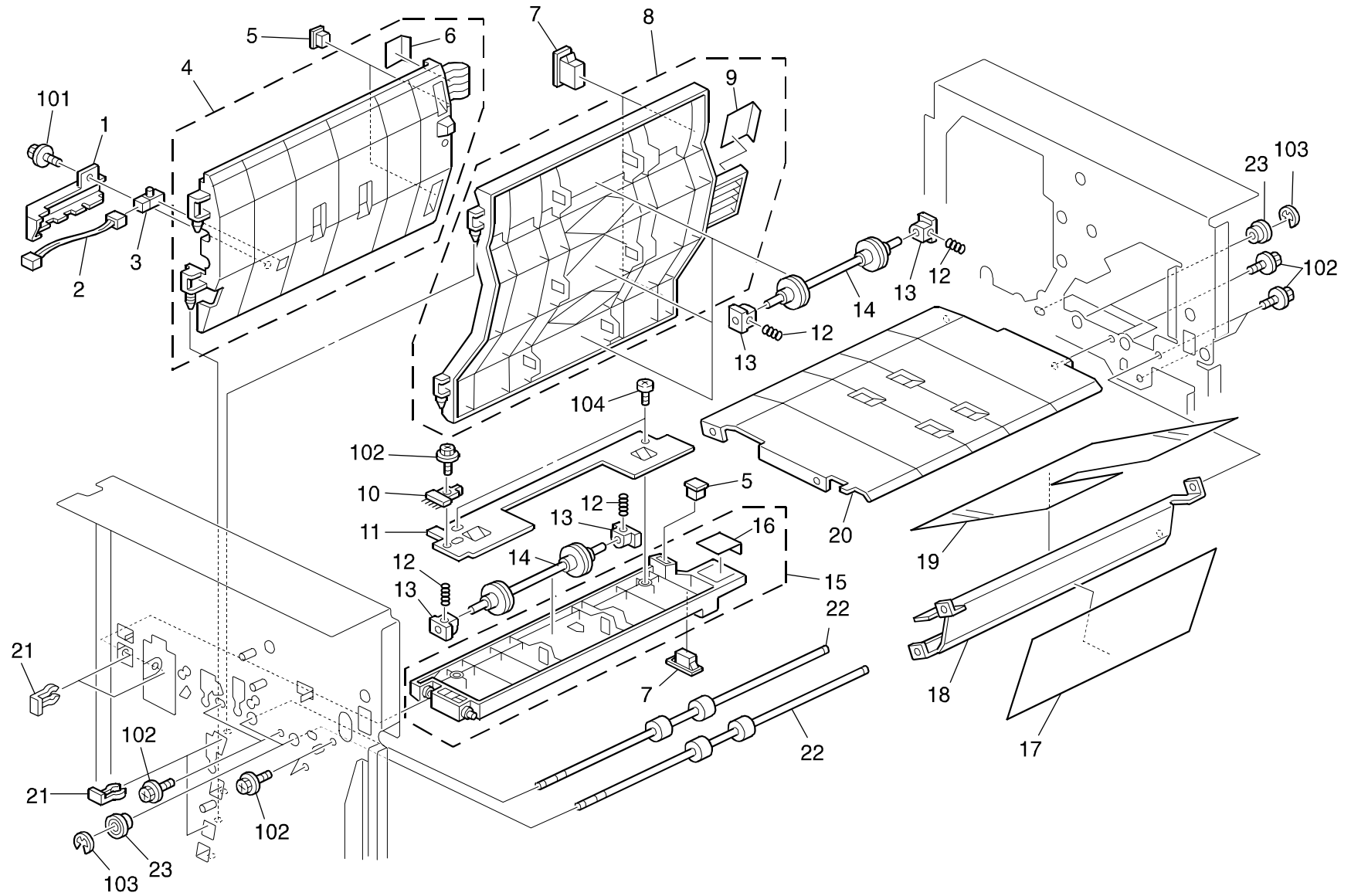


8.STAPLE TRANSPORT 2 (B302)

Index No.	Part No.	Description	Q'ty Per Assembly
1	B302 2611	Stapler Junction Gate	1
2	A458 2251	Cushion - Bin Solenoid Lever	2
3	B302 2514	Exit Junction Gate	1
	B302 2511	X/O MB5	
4	B302 2513	Support Plate - Exit Gate	1
	B302 2512	O/O MB14	
5	B302 2224	Pressure Spring - 5.5x18mm	2
6	AA08 0242	Bushing - 4mm	10
7	AF02 2106	Driven Roller	5
8	AA12 0097	Antistatic Brush	1
9	B302 2352	Support Plate	1
10	B302 2296	Guide Holder Cushion	1
11	AA06 3400	Pressure Spring - 5.5x19.5mm	8
12	A680 1181	Magnetic Catch	5
13	B302 7012	Right Lower Guide - Upper Tray	1
	B302 7002	X/O MB11	
14	B302 7702	Decal - R2	1
15	B302 7013	Upper Guide - Shift Tray	1
	B302 7003	X/O MB11	
16	B302 7703	Decal - R3	1

Index No.	Part No.	Description	Q'ty Per Assembly
101	0451 3008B	Tapping Screw - M3x8	
102	0452 4008B	Binding Self Tapping Screw - M4x8	
103	0451 3006B	Tapping Screw - M3x6	
104	0805 0089	Retaining Ring - M4	

9.STAPLE TRANSPORT 3 (B302)



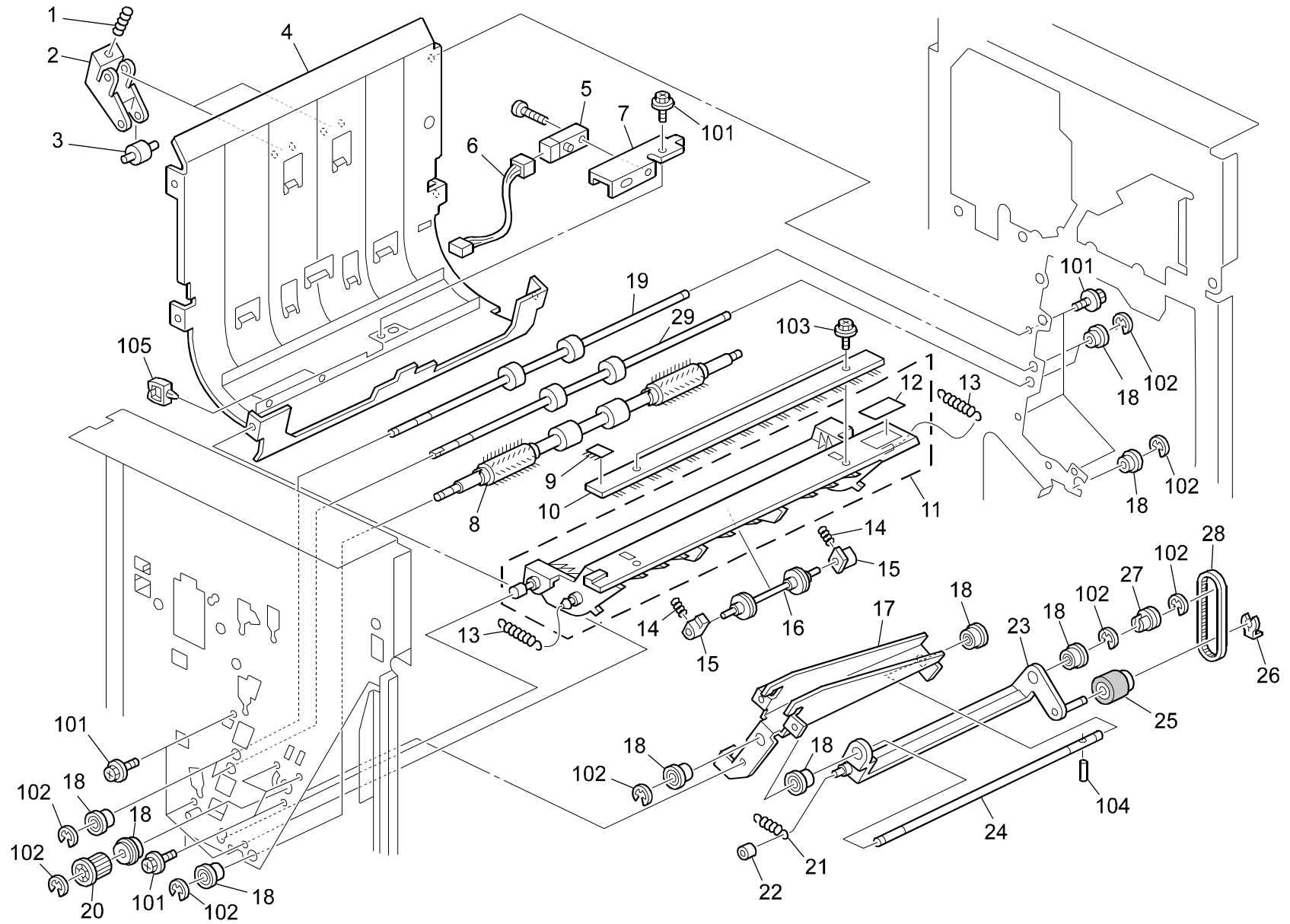
9.STAPLE TRANSPORT 3 (B302)



Index No.	Part No.	Description	Q'ty Per Assembly
1	B302 2442	Cover - Stack Tray Paper Sensor	1
2	B302 5320	Harness - Staple Hopper Sensor	1
3	AW01 0076	Photosensor - PS-117D1	1
4	B302 7005	Middle Guide - Vertical Transport	1
5	G012 1531	Magnet	3
6	B302 7705	Decal - R5	1
7	A680 1181	Magnetic Catch	3
8	B302 7004	Left Guide - Vertical Transport	1
9	B302 7704	Decal - R4	1
10	AA12 0097	Antistatic Brush	1
11	B302 2352	Support Plate	1
12	AA06 3400	Pressure Spring - 5.5x19.5mm	8
13	AA08 0242	Bushing - 4mm	8
14	AF02 2106	Driven Roller	4
15	B302 7001	Upper Entrance Guide	1
16	B302 7701	Decal - R1	1
17	B302 2361	Mylar Exit Guide - Shift Tray	1
18	A379 2521	Exit Guide Plate	1
19	A379 2523	Exit Guide Mylar	1
20	B302 2342	Lower Guide - Shift Tray	1
	B302 2341	O/O MB14	
21	C101 2360	Snap Ring	4
22	AF02 0501	Transport Roller	2
23	A859 2230	Ball Bearing - 6x13x5	4

Index No.	Part No.	Description	Q'ty Per Assembly
101	0450 3008B	Tapping Screw - M3x8	
102	0451 3006B	Tapping Screw - M3x6	
103	0720 0040B	Retaining Ring - M4	
104	0313 0040B	Philips Pan Head Screw - M3x4	

10.STAPLE TRANSPORT 4 (B302)

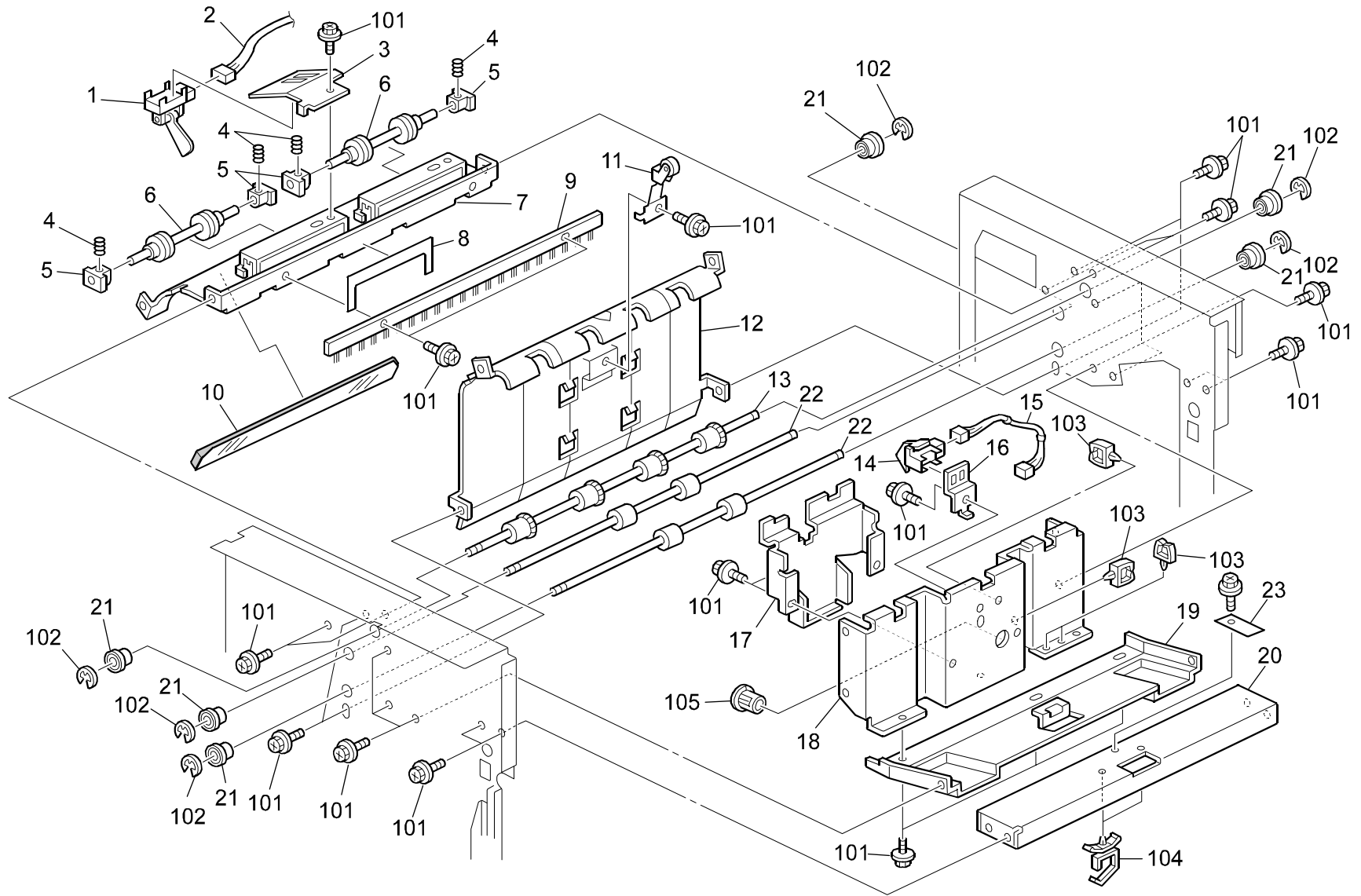


10.STAPLE TRANSPORT 4 (B302)

Index No.	Part No.	Description	Q'ty Per Assembly
1	B302 2429	Pressure Spring - 6x18mm	2
2	B302 2428	Driven Roller Holder	2
3	A376 3153	Lower Driven Roller	2
4	B302 2437	Right Guide - Vertical Transport	1
	B302 2435	O/O MB14	
	B302 2421	X/O MB6	
5	AW01 0076	Photosensor - PS-117D1	1
6	B302 5330	Exit Sensor Harness - Staple Tray	1
7	B302 2416	Exit Sensor Bracket - Staple Tray	1
	B302 2426	O/O MB14	
8	B302 2410	Exit Roller - Staple Tray	1
9	A697 2131	Antistatic Brush	1
10	AA12 0099	Antistatic Brush - 320mm	1
11	B302 7016	Upper Exit Guide - Staple Tray	1
	B302 7006	O/O MB12	
12	B302 7706	Decal - R6	1
13	B302 2459	Spring - 5x39mm	2
14	AA06 3529	Pressure Spring - 14.5mm	2
15	AA08 0242	Bushing - 4mm	2
16	AF02 2106	Driven Roller	1
17	B302 2118	Positioning Roller Bracket	1
	B302 2117	O/O MB14	
	B302 2114	O/O MB12	
18	A859 2230	Ball Bearing - 6x13x5	11
19	AF02 0502	Transport Roller	1
20	A697 2260	Pulley - 17T	1
21	AA06 0557	Positioning Roller Spring	1
22	AA16 1099	Lever Cushion	1
23	B302 2111	Positioning Roller Arm	1
24	B302 2115	Positioning Roller Drive Shaft	1
25	B302 2116	Positioning Roller	1
26	5447 2681	Snap Ring	1
27	5919 2127	Positioning Roller Pulley	1
28	5919 2132	Positioning Roller Belt	1
29	AF02 0501	Transport Roller	1

Index No.	Part No.	Description	Q'ty Per Assembly
101	0451 3006B	Tapping Screw - M3x6	
102	0720 0040B	Retaining Ring - M4	
103	0450 3008B	Tapping Screw - M3x8	
104	0623 0120E	Spring Pin - M3x12	
105	1105 0199	Clamp	

11.TRANSPORT SECTION 1 (B302)

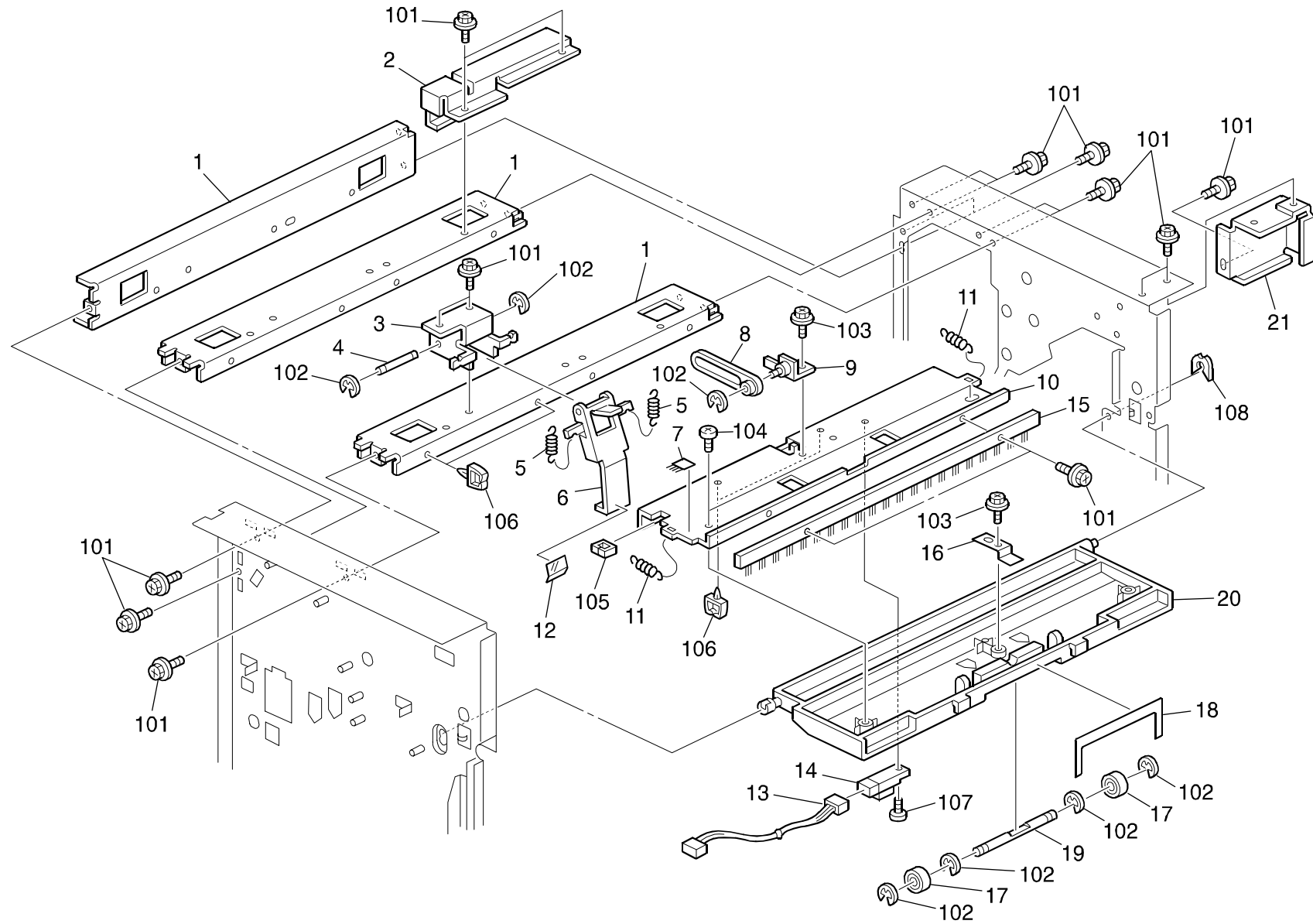


11. TRANSPORT SECTION 1 (B302)

Index No.	Part No.	Description	Q'ty Per Assembly
1	AW02 0049	Photointerruptor - OS - 580213-703	1
2	B302 5250	Exit Sensor Harness - Upper Tray	1
3	B302 2237	Exit Sensor Bracket - Upper Tray	1
	B302 2236	O/O MB14	
4	AA06 3529	Pressure Spring - 14.5mm	4
5	AA08 0242	Bushing - 4mm	4
6	AF02 2119	Driven Roller	2
7	B302 2218	Upper Exit Guide - Upper Tray	1
	B302 2213	O/O MB14	
8	B302 2216	Exit Guide - Upper Exit Guide	1
9	AA12 0090	Discharge Brush L=320 MM3	1
10	B302 2217	Entrance Guide - Upper Exit Guide	1
11	B302 2231	Guide Roller	1
12	B302 2230	Left Guide - Upper Tray	1
	B302 2222	O/O MB14	
	B302 2223	X/O MB11	
	B302 2228	X/O MB5	
13	B302 2202	Exit Roller - Upper Tray	1
14	AW02 0103	Photointerrupter	1
15	B302 5260	Overflow Sensor Harness	1
16	B302 2247	Overflow Sensor Bracket	1
	B302 2246	O/O MB14	
17	B302 2254	Overflow Sensor Cover	1
	B302 2249	O/O MB14	
18	B302 2243	Upper End Fence - Upper Tray	1
	B302 2242	O/O MB14	
19	B302 2253	Lower End Fence - Upper Tray	1
	B302 2250	O/O MB14	
20	B302 1133	Upper Exit Stay	1
	B302 1131	O/O MB14	
	B302 1141	X/O MB7	
21	A859 2230	Ball Bearing - 6x13x5	6
22	AF02 0501	Transport Roller	2
23	B302 1134	Lever Stay	1
	B302 1132	O/O MB14	

Index No.	Part No.	Description	Q'ty Per Assembly
101	0451 3006B	Tapping Screw - M3x6	
102	0720 0040B	Retaining Ring - M4	
103	1105 0199	Clamp	
104	1105 0310	Harness Clamp - LWS-1S	
105	1106 0411	Bushing - 11.5mm	

12.TRANSPORT SECTION 2 (B302)



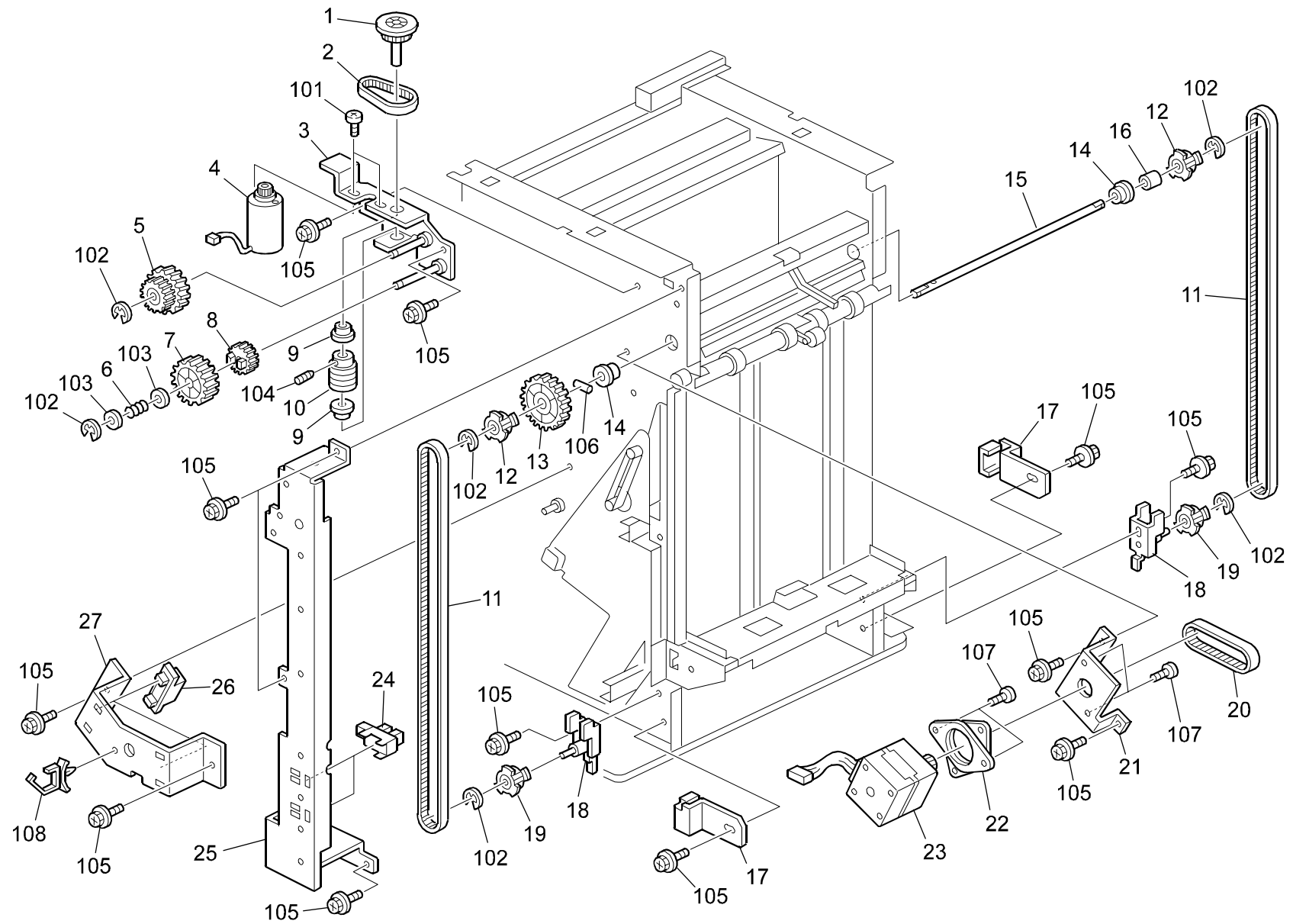
12. TRANSPORT SECTION 2 (B302)



Index No.	Part No.	Description	Q'ty Per Assembly
1	A697 1100	Right Stay	3
2	B302 6414	Upper Cover Stay	1
	B302 6412	O/O MB14	
3	B302 2297	Guide Holder Bracket	1
	B302 2291	O/O MB14	
4	B302 2293	Guide Holder Shaft	1
5	B302 2294	Guide Holder Tension Spring	2
6	B302 2298	Guide Holder Lever	1
	B302 2292	O/O MB14	
7	A697 2131	Antistatic Brush	1
8	B302 2326	Link - Upper Exit Guide	1
9	A353 3361	Exit Guide Bracket	1
10	B302 2329	Exit Guide Bracket	1
	B302 2322	O/O MB14	
11	B302 2328	Exit Guide Shift Spring	2
11	B302 2327	Spring - 3x19mm X/O MB4	2
12	B302 2295	Guide Holder Film	1
13	B302 5270	Exit Sensor Harness - Shift Tray	1
14	AW01 0088	Sensor GP2A200ICS - Assembly	1
15	B302 2323	Antistatic Brush - 320mm	1
16	A353 3354	Driven Roller Holder	1
17	A353 3351	Exit Driven Roller	2
18	A379 2215	Exit Mylar	1
19	B302 2324	Driven Roller Shaft	1
20	A697 2175	Upper Exit Guide	1
21	B302 6413	Front Left Stay	1
	B302 6411	O/O MB14	

Index No.	Part No.	Description	Q'ty Per Assembly
101	0451 3006B	Tapping Screw - M3x6	
102	0720 0040B	Retaining Ring - M4	
103	0451 4006B	Tapping Screw - 4x6	
104	0452 4008B	Binding Self Tapping Screw - M4x8	
105	1105 0328	Harness Clamp - ES-0505	
106	1105 0199	Clamp	
107	0313 0060B	Philips Pan Head Screw - M3x6	
108	0805 0089	Retaining Ring - M4	

13.PAPER EXIT SECTION 1 (B302)

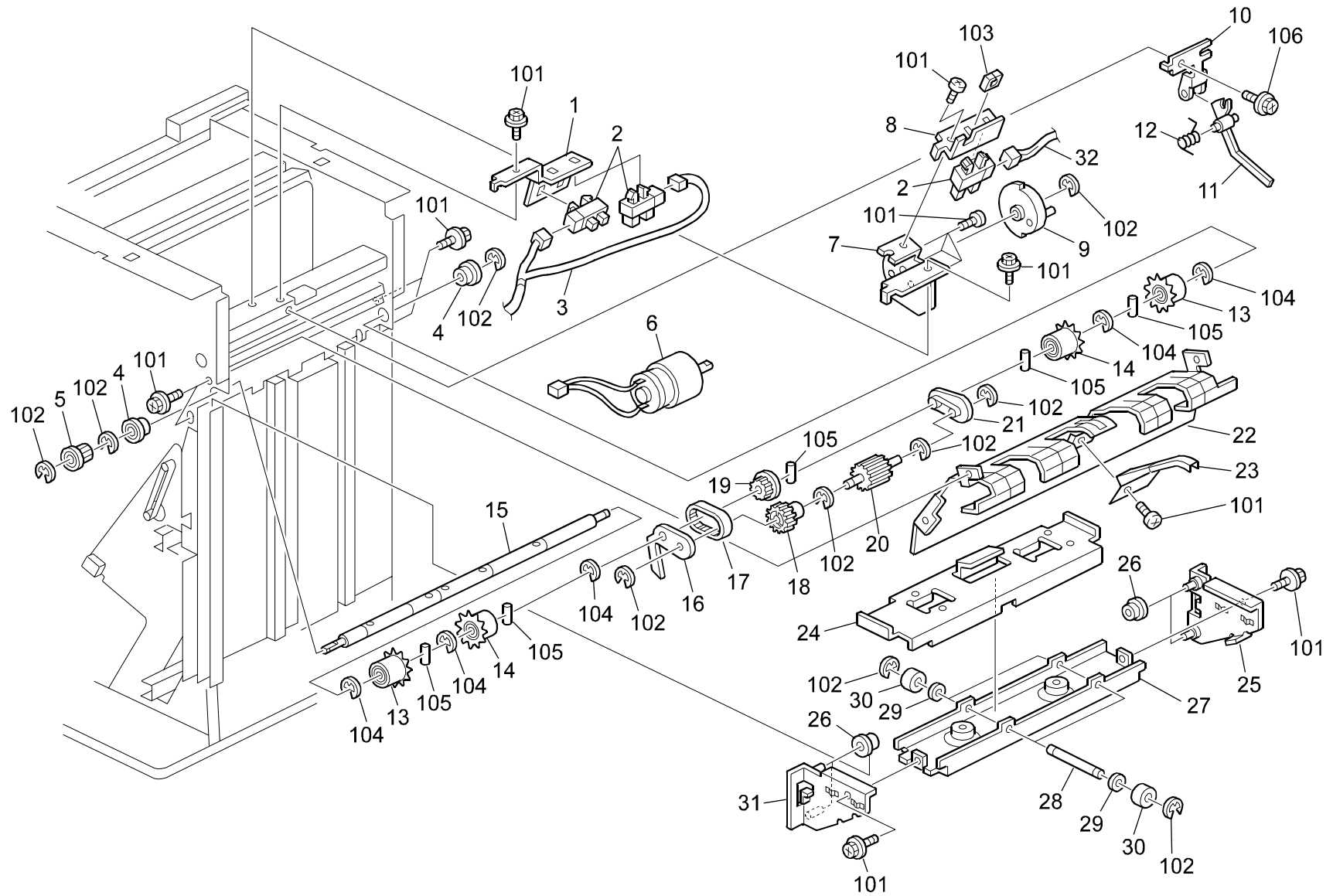


13.PAPER EXIT SECTION 1 (B302)

Index No.	Part No.	Description	Q'ty Per Assembly
1	A697 3225	Worm Wheel Shaft	1
2	AA04 3054	Timing Belt - 142 P2M4	1
3	A697 3130	Lift Motor Bracket	1
4	AX05 0074	DC Motor - 24V - 9.9W	1
5	A697 3145	Gear - 36Z/18Z	1
6	A353 3113	Pressure Spring	1
7	A697 3140	Gear - 30Z	1
8	A697 3135	Gear - 18Z	1
9	0741 3506	Ball Bearing - 6x12x4mm	2
	A232 3562	O/O MB10	
10	AB01 3709	Worm Gear	1
11	A697 3155	Timing Belt - B60S5M1420	2
12	A697 3180	Pulley - 18T	2
13	A697 3170	Gear - 42Z	1
14	C203 5135	Bushing - 10x14x5.9	2
15	A697 3165	Tray Drive Shaft	1
16	A697 3175	Spacer - 10x14x13.5mm	1
17	A697 3150	Fixing Plate - Timing Belt	2
18	A697 3190	Tightener	2
19	A697 3185	Pulley - 18T	2
20	AA04 3305	Timing Belt - 210P3M6	1
21	A379 1711	Motor Bracket	1
22	A663 2113	Cushion - Stepping Motor	1
23	AX05 0147	Stepped Motor - DC 3.8W	1
24	AW02 0114	Photo Interruptor - Lower Limit	2
25	A697 3160	Sensor Bracket	1
26	AG07 1010	Magnet Catch	2
27	B302 1193	Magnet Catch Bracket	1
	B302 1192	O/O MB14	

Index No.	Part No.	Description	Q'ty Per Assembly
101	0313 0050B	Philips Pan Head Screw - M3x5	
102	0720 0060B	Retaining Ring - M6	
103	0807 5056	Washer - 8.1mm	
104	0574 0040E	Hexagon Headless Set Screw - M4x4	
105	0451 3006B	Tapping Screw - M3x6	
106	0634 0200G	Parallel Pin - 4x20	
107	0313 0040B	Philips Pan Head Screw - M3x4	
108	1105 0310	Harness Clamp - LWS-1S	

14.PAPER EXIT SECTION 2 (B302)

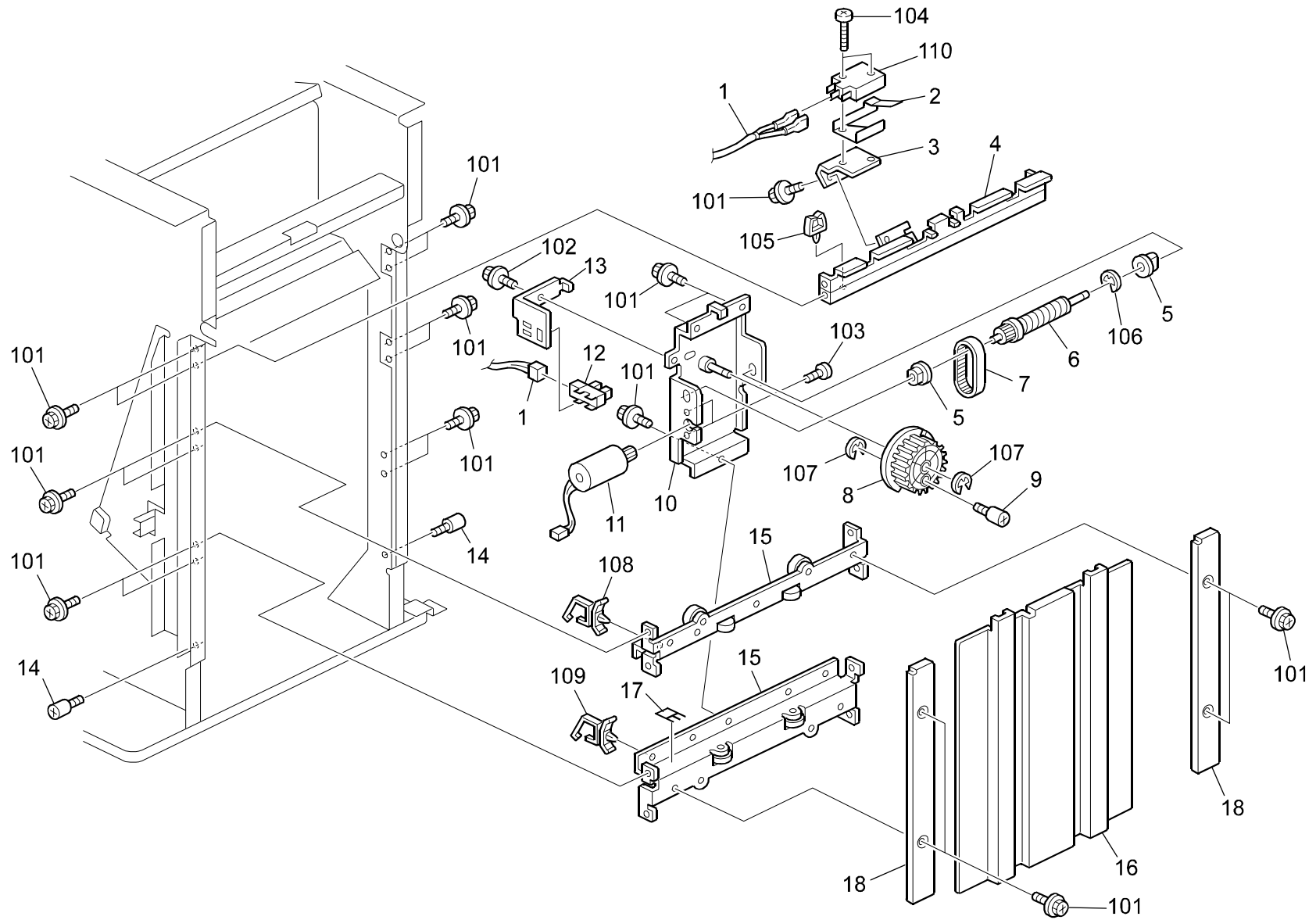


14.PAPER EXIT SECTION 2 (B302)

Index No.	Part No.	Description	Q'ty Per Assembly
1	B302 1153	Bracket - Paper Height Sensor	1
	B302 1143	O/O MB14	
2	AW02 0086	Photointerruptor	3
3	B302 5280	Harness - Paper Height Sensor	1
4	A859 2230	Ball Bearing - 6x13x5	2
5	A697 2260	Pulley - 17T	1
6	AX04 0097	DC Motor - DC 5W	1
7	B302 1146	Bracket - Exit Guide Plate Motor	1
8	B302 1148	Bracket - Exit Guide Plate Sensor	1
9	B302 1147	Guide Pulley - Exit Guide Plate	1
10	A353 3172	Actuator Bracket	1
11	B302 1145	Actuator - Paper Height Sensor	1
12	A353 3173	Pressure Spring	1
13	B302 2305	Middle Exit Roller	2
	B302 2303	O/O MB12	
14	B302 2302	Front & Rear Exit Roller	2
15	B302 2311	Exit Roller Shaft	1
16	B302 2316	Rear Arm - Reverse Roller	1
17	AA04 3181	Timing Belt - B40S2M80	1
18	B302 2318	Timing Pulley - 28Z	1
19	B302 2317	Timing Pulley - 20Z	1
20	A379 2115	Reverse Roller	1
21	B302 2315	Front Arm - Reverse Roller	1
22	B302 2333	Lower Exit Guide	1
23	B302 2332	Plate Spring - Lower Exit Guide	1
24	A697 3125	Shift Tray Holder	1
25	A697 3115	Rear Side Plate - Shift Tray	1
26	A379 3316	Shift Guide Roller	4
27	A697 3120	Shift Tray Base	1
28	A353 3271	Tray Shift Shaft	2
29	AA13 2024	Spacer - M6	4
30	A353 3272	Guide Roller	4
31	A697 3110	Front Side Plate - Sift Tray	1
32	B302 5290	Harness - Shift Tray Sensor	1

Index No.	Part No.	Description	Q'ty Per Assembly
101	0451 3006B	Tapping Screw - M3x6	
102	0720 0040B	Retaining Ring - M4	
103	1105 0328	Harness Clamp - ES-0505	
104	0720 0060B	Retaining Ring - M6	
105	0633 0120G	Parallel Pin - 3x12	
106	0451 4006B	Tapping Screw - 4x6	

15.PAPER EXIT SECTION 3 (B302)

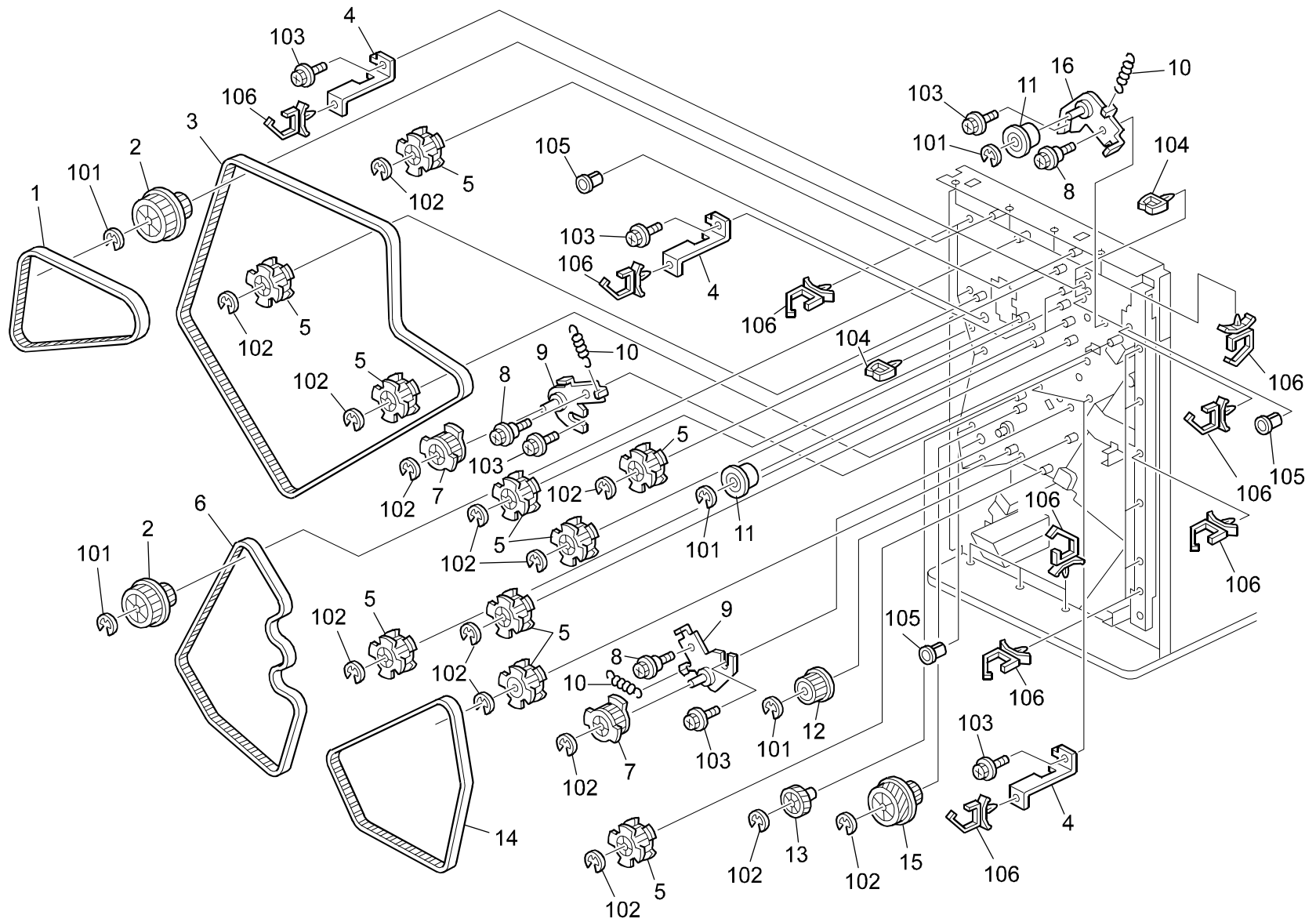


15.PAPER EXIT SECTION 3 (B302)

Index No.	Part No.	Description	Q'ty Per Assembly
1	B302 5300	Harness - Upper Limit Switch	1
2	A379 3133	Switch Lever	1
3	A379 3132	Switch Bracket	1
4	B302 3100	Exit Roller Cover	1
5	5053 0447	Bushing - 6mm	2
6	B302 3215	Worm Pulley - 29z	1
7	B302 3220	Timing Belt - B40S2M124	1
8	A697 3195	Worm Wheel	1
9	A697 3200	Worm Wheel Shaft	1
10	B302 3212	Shift Motor Bracket	1
	B302 3210	O/O MB14	
11	AX05 0074	DC Motor - 24V - 9.9W	1
12	AW02 0086	Photointerruptor	1
13	A697 3205	Shift Sensor Bracket	1
14	AA14 3059	Pin - 6x16	2
15	A379 3121	Exit Stay	2
16	A697 3105	End Fence	1
17	A697 2131	Antistatic Brush	1
18	A697 3109	End Fence Cover	2

Index No.	Part No.	Description	Q'ty Per Assembly
101	0451 4006B	Tapping Screw - 4x6	
102	0451 3006B	Tapping Screw - M3x6	
103	0313 0050B	Philips Pan Head Screw - M3x5	
104	0313 0140B	Philips Pan Head Screw - M3x14	
105	1105 0199	Clamp	
106	0720 0040B	Retaining Ring - M4	
107	0720 0060B	Retaining Ring - M6	
108	1105 0292	Wire Saddle	
109	1105 0310	Harness Clamp - LWS-1S	
110	1204 1081	Microswitch	

16.DRIVE SECTION (B302)

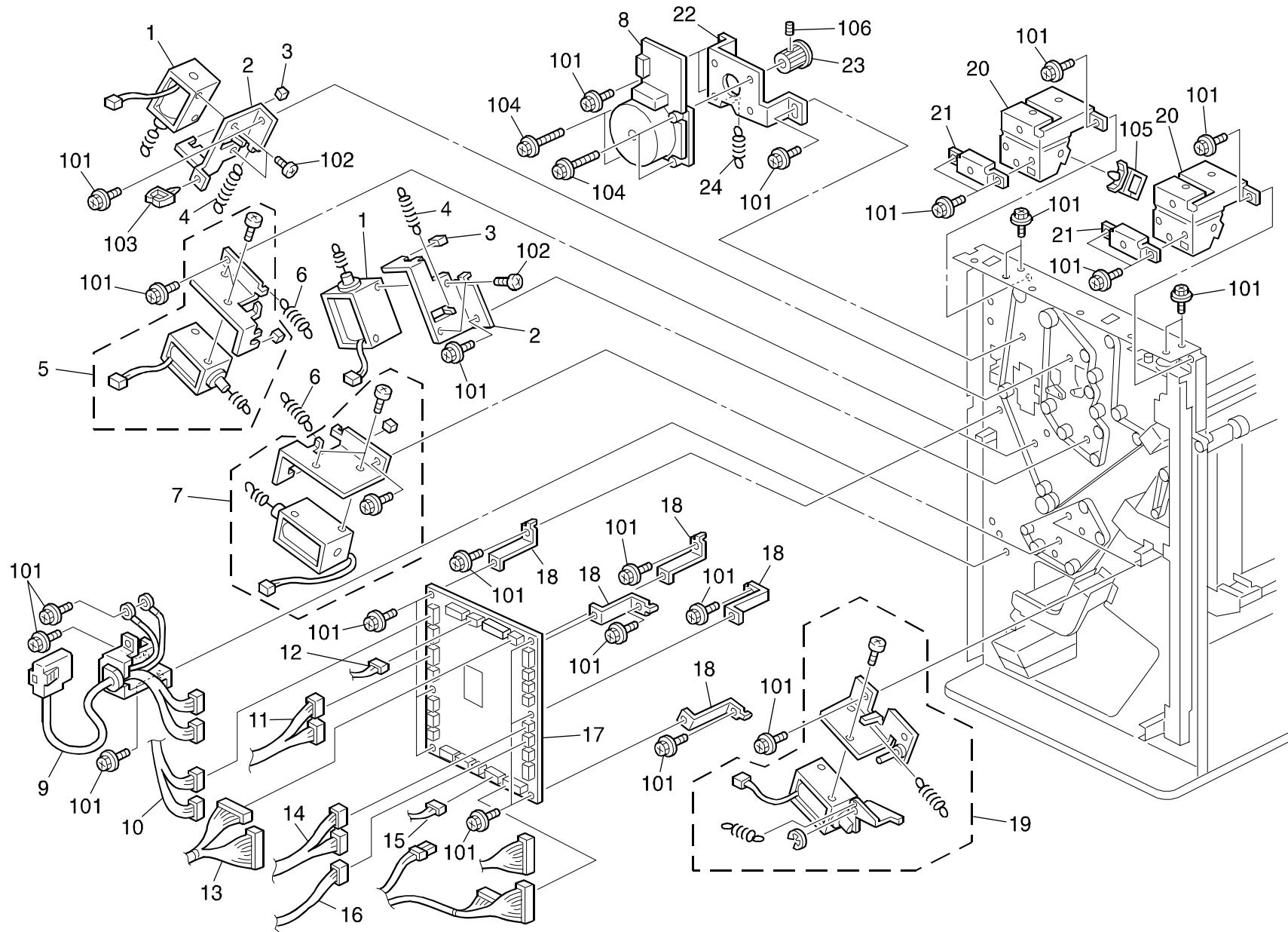


16.DRIVE SECTION (B302)

Index No.	Part No.	Description	Q'ty Per Assembly
1	AA04 3301	Timing Belt - 402P3M6	1
2	B302 1516	Timing Pulley - 18Z/33Z	2
3	AA04 3302	Timing Belt - B60S3M1221	1
4	A300 3151	Support Bracket	4
5	AB03 0374	Timing Pulley - 20Z	10
6	AA04 3303	Timing Belt - 693P3M6	1
7	B302 1542	Timing Pulley - 20Z	2
8	A697 1125	Stepped Screw - Lever	3
9	B302 1545	Tightener	2
10	5442 4121	Spring - Oil Blade	3
11	A458 3281	Idler Roller	2
12	B302 1517	Timing Pulley - 20Z	1
13	B302 1523	Gear - 33Z	1
14	AA04 3304	Timing Belt - 633P3M6	1
15	B302 1522	Gear & Pulley	1
15	AB03 0522	Timing Pulley - T14P3M X/X MB8	1
16	A566 2115	Tightner Bracket	1

Index No.	Part No.	Description	Q'ty Per Assembly
101	0720 0060B	Retaining Ring - M6	
102	0720 0040B	Retaining Ring - M4	
103	0451 3006B	Tapping Screw - M3x6	
104	1105 0199	Clamp	
105	1106 0411	Bushing - 11.5mm	
106	1105 0310	Harness Clamp - LWS-1S	

17.ELECTRICAL SECTION (B302)

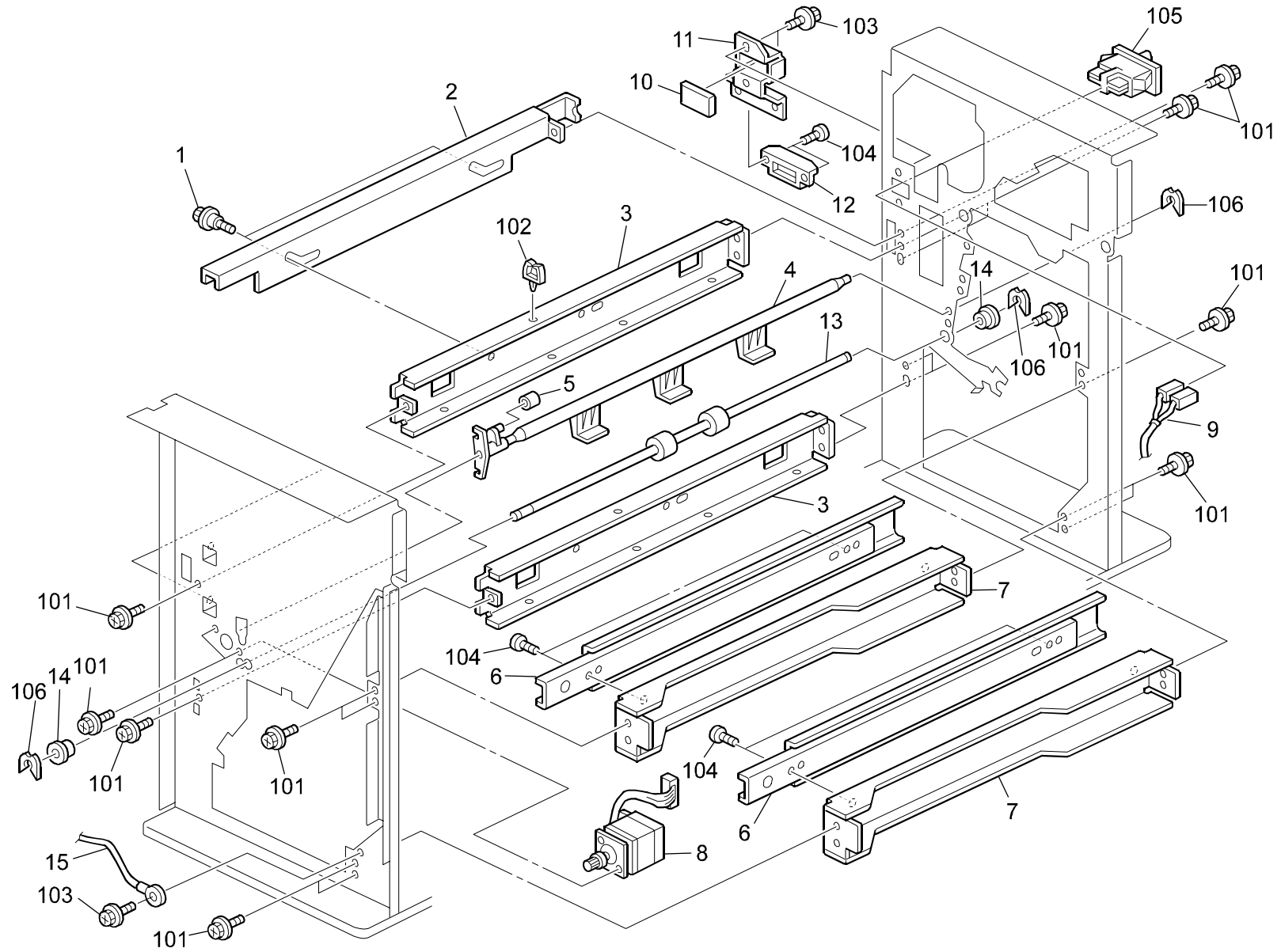


17.ELECTRICAL SECTION (B302)

Index No.	Part No.	Description	Q'ty Per Assembly
1	B302 2516	Exit Gate Solenoid	2
2	B302 2617	Bracket - Stapler Gate Solenoid	2
3	A697 2102	Dumper - Junction Gate Solenoid	2
4	B302 2521	Spring - 4x51mm	2
5	B302 2710	Pre-stack Gate Solenoid	1
6	AA06 0092	Release Spring	2
7	B302 2810	Paper Stopper Solenoid	1
8	AX05 0150	Brushless Motor - DC 7W	1
9	B302 5201	Interface Harness	1
10	B302 5220	Harness - Upper Transport Motor	1
11	B302 5230	Sensor Harness - Exit Tray	1
12	B302 5340	Harness - Junction Gate Solenoid	1
13	B302 5350	Motor Harness - Staple Unit	1
14	B302 5290	Harness - Shift Tray Sensor	1
15	B302 5310	Harness - Pre-stack Tray Sensor	1
16	B302 5360	Harness - Jogger Fence Sensor	1
17	B302 5100	Finisher Main Board	1
18	A697 5105	Main Board Bracket	5
19	B302 2120	Positioning Roller Solenoid	1
20	B302 6513	Rear Upper Stay	2
	B302 6511	O/O MB14	
21	B302 6514	Bracket - Rear Upper Stay	2
	B302 6512	O/O MB14	
22	B302 1518	Bracket - Upper Transport Motor	1
	B302 1515	O/O MB14	
23	AB03 0522	Timing Pulley - T14P3M	1
24	5442 4121	Spring - Oil Blade	1

Index No.	Part No.	Description	Q'ty Per Assembly
101	0451 3006B	Tapping Screw - M3x6	
102	0313 0040B	Philips Pan Head Screw - M3x4	
103	1105 0199	Clamp	
104	0451 3014B	Tapping Screw - M3-14	
105	1105 0310	Harness Clamp - LWS-1S	
106	0573 0030E	Hexagon Headless Set Screw - M3X3	

18.FRAME SECTION 1 (B302)

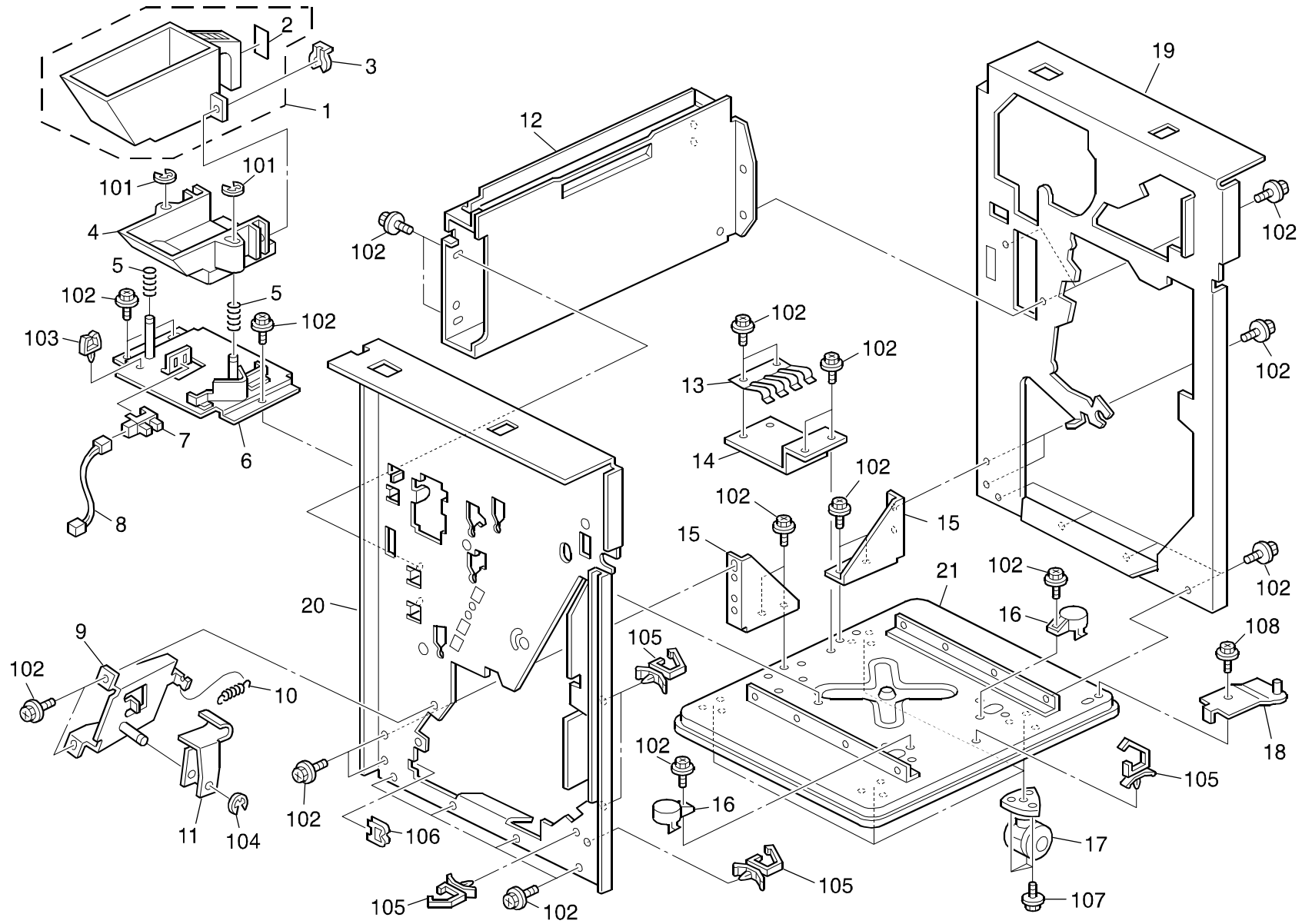


18.FRAME SECTION 1 (B302)

Index No.	Part No.	Description	Q'ty Per Assembly
1	A697 1125	Stepped Screw - Lever	2
2	A697 1128	Joint Lever	1
3	A697 1100	Right Stay	2
4	B302 2816	Paper Stopper	1
5	A458 2251	Cushion - Bin Solenoid Lever	1
6	A697 1120	Slide Rail	2
7	B302 1152	Stay	2
	B302 1151	O/O MB14	
8	AX05 0149	Stepped Motor - DC 6.9w	1
9	B302 5210	Harness - Front Door Switch	1
10	A377 1662	Door Switch Actuator	1
11	A377 1661	Door Switch Cover	1
12	AG07 0004	Magnetic Catch	1
13	AF02 0501	Transport Roller	1
14	A859 2230	Ball Bearing - 6x13x5	2
15	B302 5380	Stapler Harness	1

Index No.	Part No.	Description	Q'ty Per Assembly
101	0451 3006B	Tapping Screw - M3x6	
102	1105 0199	Clamp	
103	0451 4006B	Tapping Screw - 4x6	
104	0453 3006B	Tapping Screw - M3x6	
105	1204 2384	Interlock Switch	
106	0805 0089	Retaining Ring - M4	

19.FRAME SECTION 2 (B302)

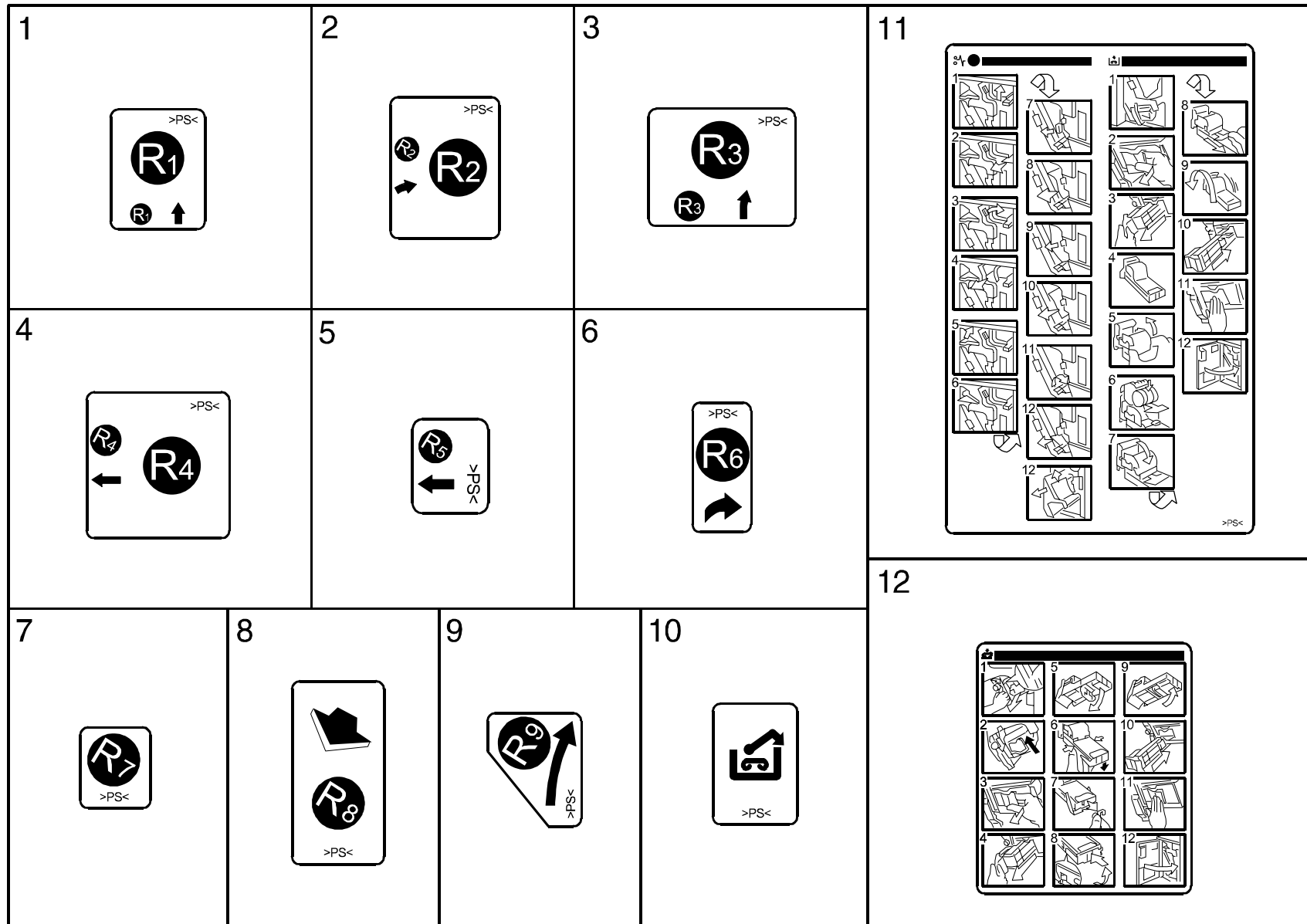


19.FRAME SECTION 2 (B302)

Index No.	Part No.	Description	Q'ty Per Assembly
1	B302 7010	Staple Hopper	1
2	B302 7710	Staple Hopper Decal	1
3	5215 2621	Snap Ring - M6	1
4	B302 1173	Staple Hopper Holder	1
5	B302 1179	Pressure Spring - 12x42mm	2
6	B302 1172	Base Plate - Staple Hopper Holder	1
	B302 1175	O/O MB14	
7	AW02 0086	Photointerruptor	1
8	B302 5320	Harness - Staple Hopper Sensor	1
9	B302 1188	Bracket - Staple Waste Holder Lever	1
	B302 1185	O/O MB14	
10	B302 1189	Spring - 6x39mm	1
11	B302 1184	Lever - Staple Waste Holder	1
	B302 1182	O/O MB14	
12	A697 1151	Hopper Bracket	1
13	B302 1163	Grounding Plate	1
14	B302 1164	Grounding Plate Bracket	1
	B302 1162	O/O MB14	
15	B302 1122	Support Plate	2
	B302 1121	O/O MB14	
16	A697 1117	Base Palte Cap	2
17	AH01 2019	Caster	4
18	B302 6153	Lower Hinge - Front Door	1
	B302 6150	O/O MB14	
19	B302 1118	Rear Side Plate	1
	B302 1115	X/O MB5	
	B302 1135	O/O MB14	
20	B302 1133	Front Side Plate	1
	B302 1110	X/O MB5	
21	B302 1104	Base Frame	1
	B302 1105	O/O MB12	
21	B302 1103	Base Frame	1
	B302 1105	O/O MB14	

Index No.	Part No.	Description	Q'ty Per Assembly
101	0720 0080B	Retaining Ring - M8	
102	0451 3006B	Tapping Screw - M3x6	
103	1105 0199	Clamp	
104	0720 0040B	Retaining Ring - M4	
105	1105 0310	Harness Clamp - LWS-1S	
106	1105 0328	Harness Clamp - ES-0505	
107	0451 4008B	Philips Tapping Screw - M4x8	
108	0451 3008B	Tapping Screw - M3x8	

20.DECAL AND DOCUMENT (B302)



20.DECAL AND DOCUMENT (B302)

Index No.	Part No.	Description	Q'ty Per Assembly
1	B302 7701	Decal - R1	1
2	B302 7702	Decal - R2	1
3	B302 7703	Decal - R3	1
4	B302 7704	Decal - R4	1
5	B302 7705	Decal - R5	1
6	B302 7706	Decal - R6	1
7	B302 7707	Decal - R7	1
8	B302 7708	Decal - R8	1
9	B302 7709	Decal - R9	1
10	B302 7710	Staple Hopper Decal	1
11	B302 7721	Decal - Misfeed Paper Removal	1
12	B302 7722	Decal - Misfeed Staple Removal	1



Index No.	Part No.	Description	Q'ty Per Assembly

Parts Index

Parts Index

Part No.	Description	Page and Index No.
B302 1103	Base Frame	43 - 21
B302 1104	Base Frame	43 - 21
B302 1105	O/O MB14	43 - 21
B302 1105	O/O MB12	43 - 21
B302 1110	X/O MB5	43 - 20
B302 1115	X/O MB5	43 - 19
B302 1118	Rear Side Plate	43 - 19
B302 1121	O/O MB14	43 - 15
B302 1122	Support Plate	43 - 15
B302 1131	O/O MB14	27 - 20
B302 1132	O/O MB14	27 - 23
B302 1133	Upper Exit Stay	27 - 20
B302 1133	Front Side Plate	43 - 20
B302 1134	Lever Stay	27 - 23
B302 1135	O/O MB14	43 - 19
B302 1141	X/O MB7	27 - 20
B302 1143	O/O MB14	33 - 1
B302 1145	Actuator - Paper Height Sensor	33 - 11
B302 1146	Bracket - Exit Guide Plate Motor	33 - 7
B302 1147	Guide Pulley - Exit Guide Plate	33 - 9
B302 1148	Bracket - Exit Guide Plate Sensor	33 - 8
B302 1151	O/O MB14	41 - 7
B302 1152	Stay	41 - 7
B302 1153	Bracket - Paper Height Sensor	33 - 1
B302 1162	O/O MB14	43 - 14
B302 1163	Grounding Plate	43 - 13
B302 1164	Grounding Plate Bracket	43 - 14
B302 1172	Base Plate - Staple Hopper Holder	43 - 6
B302 1173	Staple Hopper Holder	43 - 4
B302 1175	O/O MB14	43 - 6
B302 1179	Pressure Spring - 12x42mm	43 - 5
B302 1182	O/O MB14	43 - 11
B302 1184	Lever - Staple Waste Holder	43 - 11
B302 1185	O/O MB14	43 - 9
B302 1188	Bracket - Staple Waste Holder Lever	43 - 9

Part No.	Description	Page and Index No.
B302 1189	Spring - 6x39mm	43 - 10
B302 1192	O/O MB14	31 - 27
B302 1193	Magnet Catch Bracket	31 - 27
B302 1515	O/O MB14	39 - 22
B302 1516	Timing Pulley - 18Z/33Z	37 - 2
B302 1517	Timing Pulley - 20Z	37 - 12
B302 1518	Bracket - Upper Transport Motor	39 - 22
B302 1522	Gear & Pulley	37 - 15
B302 1523	Gear - 33Z	37 - 13
B302 1542	Timing Pulley - 20Z	37 - 7
B302 1545	Tightener	37 - 9
B302 2111	Positioning Roller Arm	25 - 23
B302 2114	O/O MB12	25 - 17
B302 2115	Positioning Roller Drive Shaft	25 - 24
B302 2116	Positioning Roller	25 - 25
B302 2117	O/O MB14	25 - 17
B302 2118	Positioning Roller Bracket	25 - 17
B302 2120	Positioning Roller Solenoid	39 - 19
B302 2202	Exit Roller - Upper Tray	27 - 13
B302 2213	O/O MB14	27 - 7
B302 2216	Exit Guide - Upper Exit Guide	27 - 8
B302 2217	Entrance Guide - Upper Exit Guide	27 - 10
B302 2218	Upper Exit Guide - Upper Tray	27 - 7
B302 2222	O/O MB14	27 - 12
B302 2223	X/O MB11	27 - 12
B302 2224	Pressure Spring - 5.5x18mm	21 - 5
B302 2228	X/O MB5	27 - 12
B302 2230	Left Guide - Upper Tray	27 - 12
B302 2231	Guide Roller	27 - 11
B302 2236	O/O MB14	27 - 3
B302 2237	Exit Sensor Bracket - Upper Tray	27 - 3
B302 2242	O/O MB14	27 - 18
B302 2243	Upper End Fence - Upper Tray	27 - 18
B302 2246	O/O MB14	27 - 16
B302 2247	Overflow Sensor Bracket	27 - 16

Part No.	Description	Page and Index No.
B302 2249	O/O MB14	27 - 17
B302 2250	O/O MB14	27 - 19
B302 2253	Lower End Fence - Upper Tray	27 - 19
B302 2254	Overflow Sensor Cover	27 - 17
B302 2291	O/O MB14	29 - 3
B302 2292	O/O MB14	29 - 6
B302 2293	Guide Holder Shaft	29 - 4
B302 2294	Guide Holder Tension Spring	29 - 5
B302 2295	Guide Holder Film	29 - 12
B302 2296	Guide Holder Cushion	21 - 10
B302 2297	Guide Holder Bracket	29 - 3
B302 2298	Guide Holder Lever	29 - 6
B302 2302	Front & Rear Exit Roller	33 - 14
B302 2303	O/O MB12	33 - 13
B302 2305	Middle Exit Roller	33 - 13
B302 2311	Exit Roller Shaft	33 - 15
B302 2315	Front Arm - Reverse Roller	33 - 21
B302 2316	Rear Arm - Reverse Roller	33 - 16
B302 2317	Timing Pulley - 20Z	33 - 19
B302 2318	Timing Pulley - 28Z	33 - 18
B302 2322	O/O MB14	29 - 10
B302 2323	Antistatic Brush - 320mm	29 - 15
B302 2324	Driven Roller Shaft	29 - 19
B302 2326	Link - Upper Exit Guide	29 - 8
B302 2327	Spring - 3x19mm X/O MB4	29 - 11
B302 2328	Exit Guide Shift Spring	29 - 11
B302 2329	Exit Guide Bracket	29 - 10
B302 2332	Plate Spring - Lower Exit Guide	33 - 23
B302 2333	Lower Exit Guide	33 - 22
B302 2341	O/O MB14	23 - 20
B302 2342	Lower Guide - Shift Tray	23 - 20
B302 2346	O/O MB14	19 - 11
B302 2347	Turn Guide	19 - 11
B302 2352	Support Plate	23 - 11
B302 2352	Support Plate	21 - 9

Part No.	Description	Page and Index No.
B302 2353	Lower Entrance Guide	19 - 5
B302 2354	Entrance Sensor Bracket	19 - 3
B302 2357	O/O MB14	19 - 5
B302 2359	O/O MB14	19 - 3
B302 2361	Mylar Exit Guide - Shift Tray	23 - 17
B302 2410	Exit Roller - Staple Tray	25 - 8
B302 2416	Exit Sensor Bracket - Staple Tray	25 - 7
B302 2421	X/O MB6	25 - 4
B302 2426	O/O MB14	25 - 7
B302 2428	Driven Roller Holder	25 - 2
B302 2429	Pressure Spring - 6x18mm	25 - 1
B302 2435	O/O MB14	25 - 4
B302 2437	Right Guide - Vertical Transport	25 - 4
B302 2442	Cover - Stack Tray Paper Sensor	23 - 1
B302 2459	Spring - 5x39mm	25 - 13
B302 2511	X/O MB5	21 - 3
B302 2512	O/O MB14	21 - 4
B302 2513	Support Plate - Exit Gate	21 - 4
B302 2514	Exit Junction Gate	21 - 3
B302 2516	Exit Gate Solenoid	39 - 1
B302 2521	Spring - 4x51mm	39 - 4
B302 2611	Stapler Junction Gate	21 - 1
B302 2617	Bracket - Stapler Gate Solenoid	39 - 2
B302 2710	Pre-stack Gate Solenoid	39 - 5
B302 2716	Gate Pawl	19 - 10
B302 2810	Paper Stopper Solenoid	39 - 7
B302 2816	Paper Stopper	41 - 4
B302 3100	Exit Roller Cover	35 - 4
B302 3210	O/O MB14	35 - 10
B302 3212	Shift Motor Bracket	35 - 10
B302 3215	Worm Pulley - 29z	35 - 6
B302 3220	Timing Belt - B40S2M124	35 - 7
B302 4112	Bushing - 6mm	9 - 19
B302 4113	Bushing - 6x9mm	9 - 18
B302 4115	Stack Plate	9 - 21

Part No.	Description	Page and Index No.
B302 4121	Bracket - Stack Plate Motor	9 - 12
B302 4131	Stack Plate Cover	9 - 14
B302 4141	Stack Plate Wheel	9 - 16
B302 4142	Stack Plate Guide	9 - 17
B302 4151	Stack Plate Shaft	9 - 9
B302 4153	Spring - 3x29mm	9 - 20
B302 4155	Timing Belt - 153P3M6	9 - 15
B302 4155	Timing Belt - 153P3M6	9 - 3
B302 4213	O/O MB14	17 - 9
B302 4214	Stapler Bracket	17 - 9
B302 4215	Front Stapler Cover	17 - 13
B302 4216	Stapler Harness Cover	17 - 14
B302 4217	Rear Stapler Cover	17 - 10
B302 4218	2nd Holder - Stapler Unit	17 - 6
B302 4219	Entrance Stapler Guide Mylar	17 - 11
B302 4221	O/O MB14	17 - 6
B302 4229	Sensor Actuator	17 - 2
B302 4231	O/O MB14	17 - 3
B302 4237	O/O MB14	17 - 7
B302 4238	Slide Guide	17 - 4
B302 4239	Guide Roller	13 - 7
B302 4239	Guide Roller	17 - 1
B302 4246	1st Holder - Stapler Unit	17 - 3
B302 4247	Slider Hook	17 - 7
B302 4251	O/O MB14	15 - 3
B302 4255	Guide Rod	15 - 2
B302 4256	Timing Pulley - 20Z/40Z	15 - 6
B302 4257	Stapler Motor Bracket	15 - 3
B302 4259	Timing Belt - 195PM6	15 - 5
B302 4261	Stapler Unit Slider	15 - 23
B302 4266	Guide Rail - Stapler Unit	15 - 29
B302 4267	Spring - 10x59mm	17 - 15
B302 4268	O/O MB14	15 - 26
B302 4269	Spring - 12x64mm	15 - 25
B302 4270	Return Arm - Stapler Unit	15 - 26

Part No.	Description	Page and Index No.
B302 4271	Drive Cam - Stapler Unit	15 - 11
B302 4272	Worm Gear - Z1	15 - 24
B302 4273	Stapler Unit Knob	9 - 2
B302 4274	Worm Gear Shaft	15 - 20
B302 4281	O/O MB14	15 - 30
B302 4284	Bracket - Return Support Solenoid	15 - 30
B302 4285	Return Support Lever	15 - 33
B302 4286	Spring - 4.4x24mm	15 - 32
B302 4287	Spring - 5.5x17mm	15 - 34
B302 4291	O/O MB13	15 - 21
B302 4291	Belt Holder Bracket X/X MB9	15 - 11
B302 4291	O/O MB13	15 - 11
B302 4292	Belt Holder	15 - 9
B302 4293	Belt Holder Bracket	15 - 11
B302 4293	Belt Holder Bracket	15 - 21
B302 4298	Bracket - Return Support Sensor	15 - 28
B302 4299	O/O MB14	15 - 28
B302 4311	O/O MB14	15 - 18
B302 4312	Front Side Plate - Staple Tray	15 - 18
B302 4411	O/O MB14	15 - 4
B302 4412	Rear Side Plate - Staple Tray	15 - 4
B302 4421	Timing Belt - 293P3M6	13 - 27
B302 4423	Timing Pulley - 15Z	13 - 23
B302 4511	Front Positioning Fence	13 - 4
B302 4515	Front Slide Holder	13 - 1
B302 4517	Mylar Guide	13 - 6
B302 4521	Middle Positioning Fence	13 - 5
B302 4531	Rear Positioning Fence	13 - 8
B302 4535	Rear Slide Holder	13 - 24
B302 4538	Bushing - 6x12x5	13 - 3
B302 4541	Front Shaft - Slide Holder	13 - 10
B302 4542	Rear Shaft - Slide Holder	13 - 21
B302 4611	Front Jogger Fence	11 - 12
B302 4617	Jogger Fence Slider	11 - 16
B302 4619	Jogger Fence Shaft	11 - 17

Part No.	Description	Page and Index No.
B302 4621	Rear Jogger Fence	11 - 19
B302 4629	Guide Mylar	11 - 13
B302 4711	Paper Feed Guide	11 - 14
B302 4716	Upper Exit Shaft	13 - 20
B302 4721	Paper Guide - Positioning Roller	11 - 15
B302 4726	O/O MB14	13 - 14
B302 4727	Bracket - Feed-out Belt Sensor	13 - 14
B302 4731	Lower Exit Shaft	13 - 19
B302 4736	O/O MB14	11 - 20
B302 4737	Upper Stay - Staple Unit	11 - 20
B302 4741	O/O MB14	13 - 11
B302 4742	O/O MB14	13 - 9
B302 4743	Lower Stay - Staple Unit	13 - 11
B302 4744	Bracket - Slide Holder Shaft	13 - 9
B302 4746	O/O MB14	11 - 9
B302 4747	Middle Stay - Staple Unit	11 - 9
B302 4751	O/O MB14	11 - 2
B302 4752	Jogger Motor Bracket	11 - 2
B302 4756	Timing Belt - 753P3M6	11 - 4
B302 4756	Timing Belt - 753P3M6	15 - 7
B302 4766	O/O MB13	15 - 16
B302 4766	O/O MB13	11 - 8
B302 4769	Tightener	11 - 8
B302 4769	Tightener	15 - 16
B302 4771	Paper Exit Pawl	13 - 18
B302 4772	Timing Belt - 898P2M14	13 - 12
B302 4811	O/O MB14	15 - 1
B302 4812	Stay - Upper Slide Rail	15 - 1
B302 4911	Right Stay	9 - 10
B302 4912	Right Stay Arm	15 - 10
B302 5100	Finisher Main Board	39 - 17
B302 5201	Interface Harness	39 - 9
B302 5210	Harness - Front Door Switch	41 - 9
B302 5220	Harness - Upper Transport Motor	39 - 10
B302 5230	Sensor Harness - Exit Tray	39 - 11

Part No.	Description	Page and Index No.
B302 5240	Entrance Sensor Harness	19 - 8
B302 5250	Exit Sensor Harness - Upper Tray	27 - 2
B302 5260	Overflow Sensor Harness	27 - 15
B302 5270	Exit Sensor Harness - Shift Tray	29 - 13
B302 5280	Harness - Paper Height Sensor	33 - 3
B302 5290	Harness - Shift Tray Sensor	33 - 32
B302 5290	Harness - Shift Tray Sensor	39 - 14
B302 5300	Harness - Upper Limit Switch	35 - 1
B302 5310	Harness - Pre-stack Tray Sensor	39 - 15
B302 5320	Harness - Staple Hopper Sensor	23 - 2
B302 5320	Harness - Staple Hopper Sensor	43 - 8
B302 5330	Exit Sensor Harness - Staple Tray	25 - 6
B302 5340	Harness - Junction Gate Solenoid	39 - 12
B302 5350	Motor Harness - Staple Unit	39 - 13
B302 5360	Harness - Jogger Fence Sensor	39 - 16
B302 5370	Sensor Harness - Staple Tray	13 - 16
B302 5370	Sensor Harness - Staple Tray	11 - 22
B302 5380	Stapler Harness	41 - 15
B302 5380	Stapler Harness	13 - 28
B302 6115	Tray Stopper	7 - 3
B302 6116	Cover Cushion	7 - 25
B302 6121	Upper Cover	7 - 27
B302 6131	Upper Tray	7 - 2
B302 6135	Spring - 23x44mm	7 - 26
B302 6141	Slide Tray	7 - 4
B302 6150	O/O MB14	43 - 18
B302 6153	Lower Hinge - Front Door	43 - 18
B302 6155	O/O MB14	7 - 20
B302 6157	Upper Hinge - Front Door	7 - 20
B302 6161	Magnet Catch Plate	7 - 19
B302 6211	Rear Cover	7 - 1
B302 6251	Upper Tray Lever	7 - 6
B302 6261	Upper Cover	7 - 7
B302 6311	Left Lower Cover	7 - 11
B302 6351	Left Inner Cover	7 - 13

Part No.	Description	Page and Index No.
B302 6411	O/O MB14	29 - 21
B302 6412	O/O MB14	29 - 2
B302 6413	Front Left Stay	29 - 21
B302 6414	Upper Cover Stay	29 - 2
B302 6451	Table	7 - 5
B302 6511	O/O MB14	39 - 20
B302 6512	O/O MB14	39 - 21
B302 6513	Rear Upper Stay	39 - 20
B302 6514	Bracket - Rear Upper Stay	39 - 21
B302 6611	O/O MB12	7 - 14
B302 6612	Inner Cover	7 - 14
B302 6651	Inner Cover - Staple Tray	9 - 1
B302 7001	Upper Entrance Guide	23 - 15
B302 7002	X/O MB11	21 - 13
B302 7003	X/O MB11	21 - 15
B302 7004	Left Guide - Vertical Transport	23 - 8
B302 7005	Middle Guide - Vertical Transport	23 - 4
B302 7006	O/O MB12	25 - 11
B302 7007	Staple Tray Grip	9 - 7
B302 7008	Cover - Stapler Unit Drive	9 - 4
B302 7010	Staple Hopper	43 - 1
B302 7012	Right Lower Guide - Upper Tray	21 - 13
B302 7013	Upper Guide - Shift Tray	21 - 15
B302 7016	Upper Exit Guide - Staple Tray	25 - 11
B302 7020	Front Door	7 - 15
B302 7531	Cushion -10x15x585	7 - 24
B302 7701	Decal - R1	47 - 1
B302 7701	Decal - R1	23 - 16
B302 7702	Decal - R2	47 - 2
B302 7702	Decal - R2	21 - 14
B302 7703	Decal - R3	47 - 3
B302 7703	Decal - R3	21 - 16
B302 7704	Decal - R4	47 - 4
B302 7704	Decal - R4	23 - 9
B302 7705	Decal - R5	23 - 6

Part No.	Description	Page and Index No.
B302 7705	Decal - R5	47 - 5
B302 7706	Decal - R6	25 - 12
B302 7706	Decal - R6	47 - 6
B302 7707	Decal - R7	9 - 8
B302 7707	Decal - R7	47 - 7
B302 7708	Decal - R8	9 - 6
B302 7708	Decal - R8	47 - 8
B302 7709	Decal - R9	9 - 5
B302 7709	Decal - R9	47 - 9
B302 7710	Staple Hopper Decal	43 - 2
B302 7710	Staple Hopper Decal	47 - 10
B302 7721	Decal - Misfeed Paper Removal	7 - 17
B302 7721	Decal - Misfeed Paper Removal	47 - 11
B302 7722	Decal - Misfeed Staple Removal	7 - 16
B302 7722	Decal - Misfeed Staple Removal	47 - 12

Part No.	Description	Page and Index No.
A077 4162	Shoulder Screw - M3	7 - 21
A232 3562	O/O MB10	31 - 9
A232 3562	O/O MB10	15 - 19
A232 3562	O/O MB10	13 - 25
A300 3151	Support Bracket	37 - 4
A300 3634	Spring Plate - Timing Belt	11 - 3
A300 3759	Spring	13 - 2
A300 3812	Spacer - 6x22x1.5	15 - 8
A353 2763	Washer - M5	13 - 17
A353 3113	Pressure Spring	31 - 6
A353 3172	Actuator Bracket	33 - 10
A353 3173	Pressure Spring	33 - 12
A353 3271	Tray Shift Shaft	33 - 28
A353 3272	Guide Roller	33 - 30
A353 3351	Exit Driven Roller	29 - 17
A353 3354	Driven Roller Holder	29 - 16
A353 3361	Exit Guide Bracket	29 - 9
A376 3153	Lower Driven Roller	25 - 3
A377 1661	Door Switch Cover	41 - 11
A377 1662	Door Switch Actuator	41 - 10
A377 4741	Roller - M14	17 - 8
A379 1711	Motor Bracket	31 - 21
A379 2115	Reverse Roller	33 - 20
A379 2215	Exit Mylar	29 - 18
A379 2521	Exit Guide Plate	23 - 18
A379 2523	Exit Guide Mylar	23 - 19
A379 3121	Exit Stay	35 - 15
A379 3132	Switch Bracket	35 - 3
A379 3133	Switch Lever	35 - 2
A379 3316	Shift Guide Roller	33 - 26
A458 2251	Cushion - Bin Solenoid Lever	21 - 2
A458 2251	Cushion - Bin Solenoid Lever	19 - 9
A458 2251	Cushion - Bin Solenoid Lever	41 - 5
A458 3281	Idler Roller	37 - 11
A566 2115	Tightner Bracket	37 - 16

Part No.	Description	Page and Index No.
A606 1595	Small Door Cover	7 - 18
A663 2113	Cushion - Stepping Motor	31 - 22
A666 2421	Sub - Shift Tray	7 - 9
A666 3180	Timing Pulley - Z32	13 - 13
A666 3220	Tightener - Timing Belt	11 - 10
A680 1181	Magnetic Catch	23 - 7
A680 1181	Magnetic Catch	21 - 12
A697 1100	Right Stay	29 - 1
A697 1100	Right Stay	41 - 3
A697 1117	Base Palte Cap	43 - 16
A697 1120	Slide Rail	41 - 6
A697 1125	Stepped Screw - Lever	41 - 1
A697 1125	Stepped Screw - Lever	37 - 8
A697 1125	Stepped Screw - Lever	11 - 6
A697 1125	Stepped Screw - Lever	15 - 17
A697 1128	Joint Lever	41 - 2
A697 1131	Middle Stay	19 - 7
A697 1144	Rear Joint Bracket	7 - 23
A697 1151	Hopper Bracket	43 - 12
A697 1153	Front Joint Bracket	7 - 22
A697 2102	Dumper - Junction Gate Sololenoid	39 - 3
A697 2131	Antistatic Brush	35 - 17
A697 2131	Antistatic Brush	25 - 9
A697 2131	Antistatic Brush	29 - 7
A697 2160	Guide Plate - Punch Unit	19 - 6
A697 2175	Upper Exit Guide	29 - 20
A697 2250	Lower Relay Guide	19 - 2
A697 2251	Upper Relay Guide	19 - 1
A697 2260	Pulley - 17T	25 - 20
A697 2260	Pulley - 17T	13 - 26
A697 2260	Pulley - 17T	33 - 5
A697 3031	Shift Tray	7 - 10
A697 3105	End Fence	35 - 16
A697 3109	End Fence Cover	35 - 18
A697 3110	Front Side Plate - Sift Tray	33 - 31

Part No.	Description	Page and Index No.
A697 3115	Rear Side Plate - Shift Tray	33 - 25
A697 3120	Shift Tray Base	33 - 27
A697 3125	Shift Tray Holder	33 - 24
A697 3130	Lift Motor Bracket	31 - 3
A697 3135	Gear - 18Z	31 - 8
A697 3140	Gear - 30Z	31 - 7
A697 3145	Gear - 36Z/18Z	31 - 5
A697 3150	Fixing Plate - Timing Belt	31 - 17
A697 3155	Timing Belt - B60S5M1420	31 - 11
A697 3160	Sensor Bracket	31 - 25
A697 3165	Tray Drive Shaft	31 - 15
A697 3170	Gear - 42Z	31 - 13
A697 3175	Spacer - 10x14x13.5mm	31 - 16
A697 3180	Pulley - 18T	31 - 12
A697 3185	Pulley - 18T	31 - 19
A697 3190	Tightener	31 - 18
A697 3195	Worm Wheel	35 - 8
A697 3200	Worm Wheel Shaft	35 - 9
A697 3205	Shift Sensor Bracket	35 - 13
A697 3225	Worm Wheel Shaft	31 - 1
A697 4150	Stepped Screw - M5	17 - 5
A697 5105	Main Board Bracket	39 - 18
A697 6101	Front Cover - Shift Tray	7 - 12
A697 6111	Rear Cover - Shift Tray	7 - 8
A859 2230	Ball Bearing - 6x13x5	25 - 18
A859 2230	Ball Bearing - 6x13x5	23 - 23
A859 2230	Ball Bearing - 6x13x5	19 - 13
A859 2230	Ball Bearing - 6x13x5	27 - 21
A859 2230	Ball Bearing - 6x13x5	41 - 14
A859 2230	Ball Bearing - 6x13x5	33 - 4
C101 2360	Snap Ring	23 - 21
C203 5135	Bushing - 10x14x5.9	31 - 14
G012 1531	Magnet	23 - 5

Part No.	Description	Page and Index No.
AA04 3054	Timing Belt - 142 P2M4	31 - 2
AA04 3181	Timing Belt - B40S2M80	33 - 17
AA04 3301	Timing Belt - 402P3M6	37 - 1
AA04 3302	Timing Belt - B60S3M1221	37 - 3
AA04 3303	Timing Belt - 693P3M6	37 - 6
AA04 3304	Timing Belt - 633P3M6	37 - 14
AA04 3305	Timing Belt - 210P3M6	31 - 20
AA06 0092	Release Spring	39 - 6
AA06 0557	Positioning Roller Spring	25 - 21
AA06 3400	Pressure Spring - 5.5x19.5mm	21 - 11
AA06 3400	Pressure Spring - 5.5x19.5mm	23 - 12
AA06 3529	Pressure Spring - 14.5mm	25 - 14
AA06 3529	Pressure Spring - 14.5mm	27 - 4
AA08 0072	Bushing - 6x10x3	15 - 27
AA08 0242	Bushing - 4mm	21 - 6
AA08 0242	Bushing - 4mm	25 - 15
AA08 0242	Bushing - 4mm	27 - 5
AA08 0242	Bushing - 4mm	23 - 13
AA12 0090	Discharge Brush L=320 MM3	27 - 9
AA12 0097	Antistatic Brush	21 - 8
AA12 0097	Antistatic Brush	23 - 10
AA12 0099	Antistatic Brush - 320mm	25 - 10
AA13 2024	Spacer - M6	33 - 29
AA14 3059	Pin - 6x16	35 - 14
AA16 1099	Lever Cushion	25 - 22
AB01 3709	Worm Gear	31 - 10
AB03 0278	Idler - 20Z	15 - 15
AB03 0278	Idler - 20z	11 - 5
AB03 0374	Timing Pulley - 20Z	37 - 5
AB03 0522	Timing Pulley - T14P3M X/X MB8	37 - 15
AB03 0522	Timing Pulley - T14P3M	39 - 23
AF02 0501	Transport Roller	25 - 29
AF02 0501	Transport Roller	27 - 22
AF02 0501	Transport Roller	23 - 22
AF02 0501	Transport Roller	41 - 13

Part No.	Description	Page and Index No.
AF02 0501	Transport Roller	19 - 12
AF02 0502	Transport Roller	25 - 19
AF02 2106	Driven Roller	25 - 16
AF02 2106	Driven Roller	23 - 14
AF02 2106	Driven Roller	21 - 7
AF02 2119	Driven Roller	27 - 6
AG07 0004	Magnetic Catch	41 - 12
AG07 1010	Magnet Catch	31 - 26
AH01 2019	Caster	43 - 17
AJ01 1014	Stapler - EH-1100R	17 - 12
AW01 0076	Photosensor - PS-117D1	25 - 5
AW01 0076	Photosensor - PS-117D1	11 - 18
AW01 0076	Photosensor - PS-117D1	19 - 4
AW01 0076	Photosensor - PS-117D1	23 - 3
AW01 0088	Sensor GP2A200ICS - Assembly	29 - 14
AW02 0049	Photointerruptor - OS - 580213-703	13 - 15
AW02 0049	Photointerruptor - OS - 580213-703	27 - 1
AW02 0086	Photointerruptor	33 - 2
AW02 0086	Photointerruptor	43 - 7
AW02 0086	Photointerruptor	9 - 13
AW02 0086	Photointerruptor	35 - 12
AW02 0086	Photointerruptor	11 - 21
AW02 0086	Photointerruptor	15 - 22
AW02 0103	Photointerruptor	27 - 14
AW02 0114	Photo Interruptor - Lower Limit	31 - 24
AX04 0097	DC Motor - DC 5W	33 - 6
AX04 0120	Stepped Motor - DC 9.0W	9 - 11
AX05 0074	DC Motor - 24V - 9.9W	31 - 4
AX05 0074	DC Motor - 24V - 9.9W	35 - 11
AX05 0110	Stepping Motor - 2.4V 7.2W	13 - 22
AX05 0147	Stepped Motor - DC 3.8W	31 - 23
AX05 0148	Stepped Motor - DC 8.0W	11 - 1
AX05 0148	Stepped Motor - DC 8.0W	15 - 13
AX05 0149	Stepped Motor - DC 6.9W	15 - 12
AX05 0149	Stepped Motor - DC 6.9w	41 - 8

Part No.	Description	Page and Index No.
AX05 0150	Brushless Motor - DC 7W	39 - 8
AX12 0046	DC Solenoid - 24V	15 - 31

Part No.	Description	Page and Index No.
0242 0035B	Pan Head Screw - M2x3.5	13 -111
0313 0040B	Philips Pan Head Screw - M3x4	15 -105
0313 0040B	Philips Pan Head Screw - M3x4	31 -107
0313 0040B	Philips Pan Head Screw - M3x4	39 -102
0313 0040B	Philips Pan Head Screw - M3x4	23 -104
0313 0040B	Philips Pan Head Screw - M3x4	11 -102
0313 0050B	Philips Pan Head Screw - M3x5	31 -101
0313 0050B	Philips Pan Head Screw - M3x5	35 -103
0313 0060B	Philips Pan Head Screw - M3x6	29 -107
0313 0140B	Philips Pan Head Screw - M3x14	19 -102
0313 0140B	Philips Pan Head Screw - M3x14	35 -104
0450 3008B	Tapping Screw - M3x8	11 -104
0450 3008B	Tapping Screw - M3x8	25 -103
0450 3008B	Tapping Screw - M3x8	23 -101
0450 3008B	Tapping Screw - M3x8	13 -113
0451 3006B	Tapping Screw - M3x6	23 -102
0451 3006B	Tapping Screw - M3x6	21 -103
0451 3006B	Tapping Screw - M3x6	15 -101
0451 3006B	Tapping Screw - M3x6	25 -101
0451 3006B	Tapping Screw - M3x6	19 -101
0451 3006B	Tapping Screw - M3x6	17 -103
0451 3006B	Tapping Screw - M3x6	27 -101
0451 3006B	Tapping Screw - M3x6	31 -105
0451 3006B	Tapping Screw - M3x6	29 -101
0451 3006B	Tapping Screw - M3x6	13 -101
0451 3006B	Tapping Screw - M3x6	33 -101
0451 3006B	Tapping Screw - M3x6	35 -102
0451 3006B	Tapping Screw - M3x6	11 -101
0451 3006B	Tapping Screw - M3x6	37 -103
0451 3006B	Tapping Screw - M3x6	39 -101
0451 3006B	Tapping Screw - M3x6	9 -102
0451 3006B	Tapping Screw - M3x6	41 -101
0451 3006B	Tapping Screw - M3x6	7 -104
0451 3006B	Tapping Screw - M3x6	43 -102
0451 3008B	Tapping Screw - M3x8	21 -101

Part No.	Description	Page and Index No.
0451 3008B	Tapping Screw - M3x8	43 -108
0451 3008B	Tapping Screw - M3x8	7 -101
0451 3008B	Tapping Screw - M3x8	13 -103
0451 3008B	Tapping Screw - M3x8	9 -101
0451 3008H	Tapping Screw - M3x8	7 -102
0451 3010B	Tapping Screw - M3x10	11 -107
0451 3010B	Tapping Screw - M3x10	13 -104
0451 3010B	Tapping Screw - M3x10	9 -105
0451 3014B	Tapping Screw - M3-14	39 -104
0451 4006B	Tapping Screw - 4x6	29 -103
0451 4006B	Tapping Screw - 4x6	13 -105
0451 4006B	Tapping Screw - 4x6	33 -106
0451 4006B	Tapping Screw - 4x6	19 -103
0451 4006B	Tapping Screw - 4x6	35 -101
0451 4006B	Tapping Screw - 4x6	41 -103
0451 4008B	Philips Tapping Screw - M4x8	17 -104
0451 4008B	Philips Tapping Screw - M4x8	43 -107
0451 4010B	Tapping Screw - 4x10	15 -103
0452 4008B	Binding Self Tapping Screw - M4x8	29 -104
0452 4008B	Binding Self Tapping Screw - M4x8	21 -102
0452 4008B	Binding Self Tapping Screw - M4x8	7 -103
0453 3006B	Tapping Screw - M3x6	41 -104
0573 0030E	Hexagon Headless Set Screw - M3X3	39 -106
0574 0040E	Hexagon Headless Set Screw - M4x4	31 -104
0574 0050E	Hexagon Headless Set Screw - M4x5	13 -114
0623 0120E	Spring Pin - M3x12	25 -104
0633 0100G	Parallel Pin - 3x10	13 -108
0633 0100G	Parallel Pin - 3x10	15 -109
0633 0120G	Parallel Pin - 3x12	33 -105
0634 0200G	Parallel Pin - 4x20	31 -106
0710 0020W	Hexagonal Nut - M2	13 -110
0720 0040B	Retaining Ring - M4	43 -104
0720 0040B	Retaining Ring - M4	29 -102
0720 0040B	Retaining Ring - M4	9 -103
0720 0040B	Retaining Ring - M4	13 -102

Part No.	Description	Page and Index No.
0720 0040B	Retaining Ring - M4	33 -102
0720 0040B	Retaining Ring - M4	11 -106
0720 0040B	Retaining Ring - M4	35 -106
0720 0040B	Retaining Ring - M4	37 -102
0720 0040B	Retaining Ring - M4	15 -104
0720 0040B	Retaining Ring - M4	25 -102
0720 0040B	Retaining Ring - M4	17 -101
0720 0040B	Retaining Ring - M4	27 -102
0720 0040B	Retaining Ring - M4	19 -106
0720 0040B	Retaining Ring - M4	23 -103
0720 0060B	Retaining Ring - M6	17 -102
0720 0060B	Retaining Ring - M6	15 -102
0720 0060B	Retaining Ring - M6	37 -101
0720 0060B	Retaining Ring - M6	35 -107
0720 0060B	Retaining Ring - M6	11 -105
0720 0060B	Retaining Ring - M6	33 -104
0720 0060B	Retaining Ring - M6	31 -102
0720 0080B	Retaining Ring - M8	43 -101
0740 3506	Ball Bearing - 6x12x4 MM	15 -107
0741 3506	Ball Bearing - 6x12x4mm	13 - 25
0741 3506	Ball Bearing - 6x12x4mm	15 - 19
0741 3506	Ball Bearing - 6x12x4mm	31 - 9
0805 0089	Retaining Ring - M4	21 -104
0805 0089	Retaining Ring - M4	29 -108
0805 0089	Retaining Ring - M4	19 -105
0805 0089	Retaining Ring - M4	41 -106
0805 3368	Ball Bearing - 8x16x5mm	17 -106
0805 3385	Bushing - 6mm	13 -109
0807 5056	Washer - 8.1mm	31 -103
1105 0199	Clamp	9 -104
1105 0199	Clamp	27 -103
1105 0199	Clamp	43 -103
1105 0199	Clamp	37 -104
1105 0199	Clamp	41 -102
1105 0199	Clamp	11 -108

Part No.	Description	Page and Index No.
1105 0199	Clamp	29 -106
1105 0199	Clamp	39 -103
1105 0199	Clamp	19 -104
1105 0199	Clamp	35 -105
1105 0199	Clamp	15 -110
1105 0199	Clamp	13 -106
1105 0199	Clamp	25 -105
1105 0229	Clamp	11 -103
1105 0229	Clamp	17 -105
1105 0292	Wire Saddle	35 -108
1105 0310	Harness Clamp - LWS-1S	39 -105
1105 0310	Harness Clamp - LWS-1S	27 -104
1105 0310	Harness Clamp - LWS-1S	35 -109
1105 0310	Harness Clamp - LWS-1S	15 -108
1105 0310	Harness Clamp - LWS-1S	37 -106
1105 0310	Harness Clamp - LWS-1S	43 -105
1105 0310	Harness Clamp - LWS-1S	31 -108
1105 0328	Harness Clamp - ES-0505	43 -106
1105 0328	Harness Clamp - ES-0505	15 -106
1105 0328	Harness Clamp - ES-0505	29 -105
1105 0328	Harness Clamp - ES-0505	17 -107
1105 0328	Harness Clamp - ES-0505	33 -103
1105 0328	Harness Clamp - ES-0505	13 -107
1105 0946	Stepping Motor Cushion	13 -115
1106 0411	Bushing - 11.5mm	37 -105
1106 0411	Bushing - 11.5mm	27 -105
1204 1081	Microswitch	35 -110
1204 2384	Interlock Switch	41 -105

Part No.	Description	Page and Index No.
5053 0447	Bushing - 6mm	35 - 5
5201 2722	Bushing - M6x5	11 - 11
5215 2621	Snap Ring - M6	43 - 3
5442 4121	Spring - Oil Blade	11 - 7
5442 4121	Spring - Oil Blade	15 - 14
5442 4121	Spring - Oil Blade	37 - 10
5442 4121	Spring - Oil Blade	39 - 24
5447 2681	Snap Ring	25 - 26
5919 2127	Positioning Roller Pulley	25 - 27
5919 2132	Positioning Roller Belt	25 - 28

Part No.	Description	Page and Index No.